



# MAPLE HILL

W O O D W O R K I N G

PRODUCT CATALOG









## *About* MAPLE HILL WOODWORKING

---

Maple Hill Woodworking is a family-owned and operated business located in Millersburg, OH.

In 2014, after 10 years of working in a neighboring woodshop, owner Ura Burkholder, along with his wife Esther, purchased Maple Hill Woodworking. In a 5800-square foot facility nestled on a hillside of maple trees, Maple Hill Woodworking produces solid wood home office, entertainment and occasional furniture. Custom choices for wood species, finish and hardware inspire customers to create their perfect home environment. Quality features such as dovetailed drawer boxes, full extension drawer guides and catalyzed varnish finishes ensure the beauty of Maple Hill Woodworking can be enjoyed for generations.





# OCS Stain Options



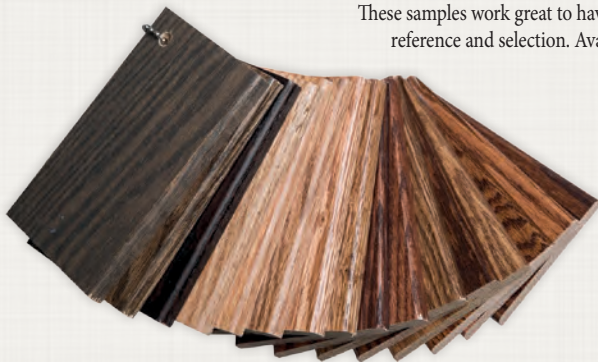
## Ohio Certified Stains

33284 County Road 12 · Baltic, Ohio 43804 · Phone: 330.275.7784 · Fax: 330.698.3200  
Now accepting credit cards. · Mail order form with check, or call with credit card information.

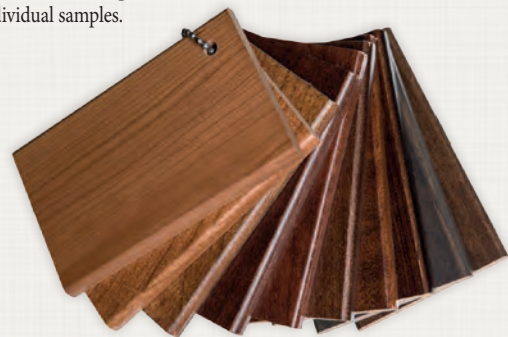
## Wood Stain and Color Samples

### 3" x 5" Small Sample Boards

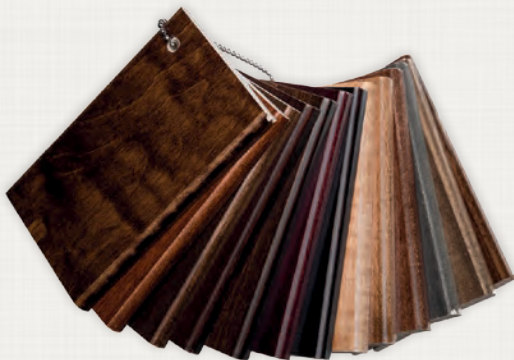
These samples work great to have throughout your showroom for quick reference and selection. Available in sets or individual samples.



Red Oak · 16 pc. set



Cherry · 11 pc. set



Brown Maple · 13 pc. set



Qu. Sawn Wh. Oak · 5 pc. set



Paint Colors · 8 pc. set

### 7" x 10" Sample Boards

Wood Stain and Paint Color samples that represent a larger portion of grain for additional accuracy.  
*Natural wood is vulnerable to much variation.*



**Storage Cabinet** Prolongs color fading.





# Home Office AT-A-GLANCE



**HENRY STEPHENS COLLECTION.....HS1**



**FINLEY COLLECTION.....FL1**



**HAMPTON COLLECTION.....HM1**



**CLARK COLLECTION.....CL1**



**KINGSTON COLLECTION.....KT1**



**LINWOOD COLLECTION.....LW1**



**DESK CHAIRS.....DC1**



# Henry Stephens OFFICE COLLECTION







**HS-9249 CORNER HUTCH**

77<sup>3</sup>/<sub>4</sub>"W x 51"H x 18"D  
2 Drawers, 3 Adj. Shelves

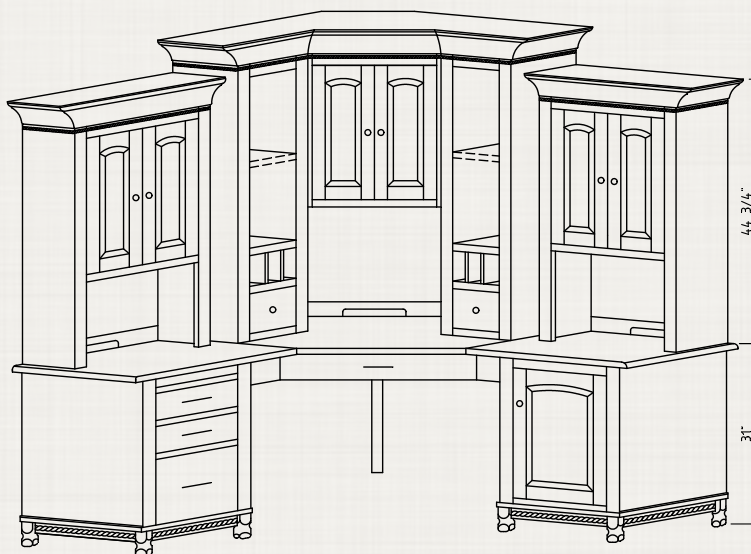
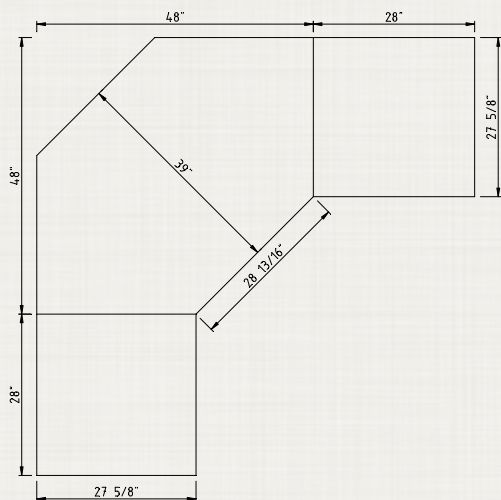
**HS-9049 CORNER DESK**

76"W x 31"H x 27<sup>1</sup>/<sub>2</sub>"D  
1 Keyboard Drawer, 2 Pencil Drawers, 1 File Drawer  
2 Writing Board Pullouts, 1 Adj. Shelf

*Standard Hardware:*

#120 Knobs, #121 Pulls

*Shown in Rustic Cherry with OCS 113 Michaels (10 Sheen)*





# Henry Stephens OFFICE COLLECTION



## HS-9247 PARTNER DESK HUTCH

112"W x 50<sup>3</sup>/<sub>4</sub>"H x 18<sup>1</sup>/<sub>4</sub>"D  
5 Adj. Shelves, 1 LED Strip Light

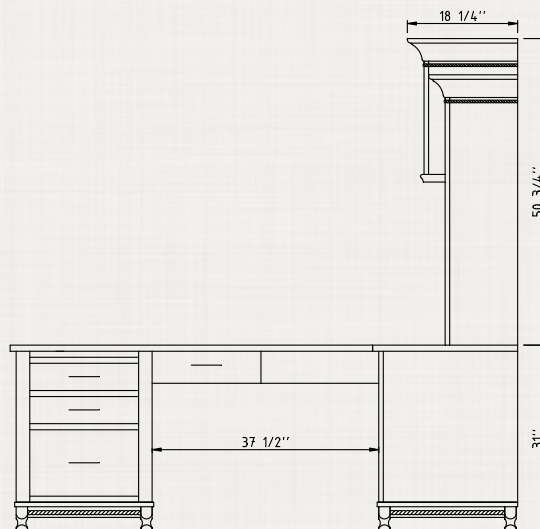
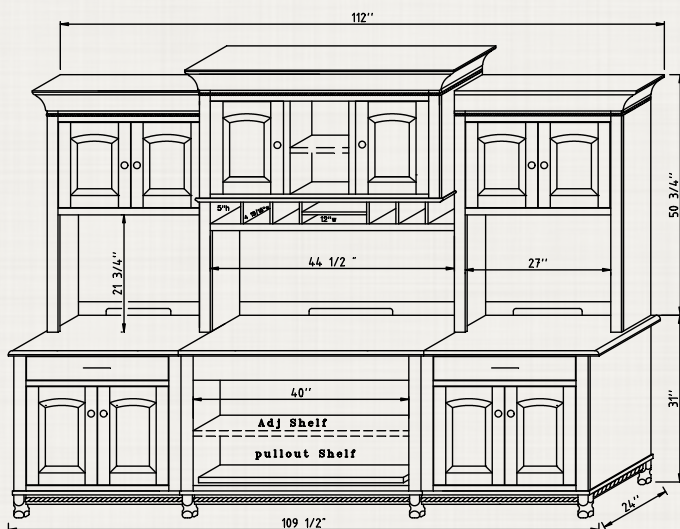
## HS-9047 PARTNER DESK

2 Keyboard Drawers, 6 Pencil Drawers, 2 File Drawers,  
2 Writing Board Pullouts, 3 Adj. Shelves, 1 Printer Pullout

### Standard Hardware:

#120 Knobs, #121 Pulls

Shown in Rustic Cherry with OCS-113 Michaels







**HS-9241 L-CORNER DESK HUTCH**

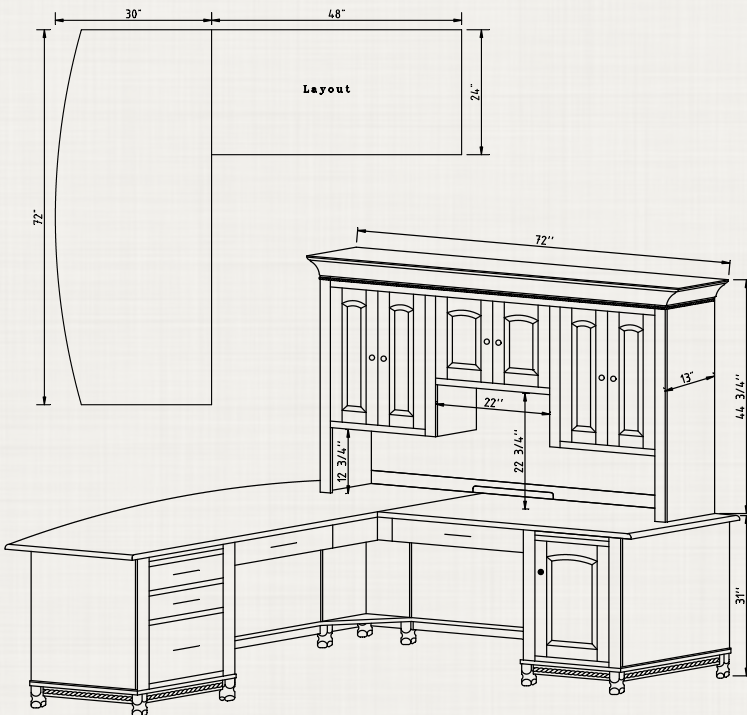
72"W x 44<sup>3</sup>/<sub>4</sub>"H x 14<sup>3</sup>/<sub>4</sub>"D  
5 Adj. Shelves

**HS-9041 L-CORNER DESK**

78"W x 72"W x 31"H x 30"D  
1 Keyboard Drawer, 3 Pencil Drawers  
1 File Drawer, 2 Writing Board Pullouts, 1 Adj. Shelf

*Shown in Rustic Cherry with OCS-117 Asbury*

*Also Available with Raised Panel Sides and Back*



**Standard Hardware:**

#120 Knobs, #121 Pulls

**Mix and Match Pedestal Options:**

#934 False Drawer Front Door w/ Printer Pullout & 1 Adj. Shelf

#935 Writing Board Pullout, 2 Pencil Drawers, File Drawer

#936 Writing Board Pullout, Adj. Shelf Behind Door

*Shown with Standard Pedestals #935 and #936*



w/Finished Backs



# Henry Stephens OFFICE COLLECTION



## HS-9030 EXECUTIVE DESK

68"W x 31"H x 34"D

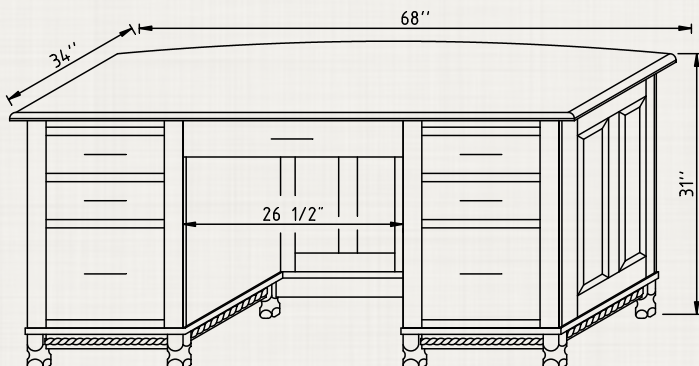
1 Keyboard Drawer, 4 Pencil Drawers  
2 File Drawers, 2 Writing Board Pullouts  
w/Finished Raised Panel Back

### *Standard Hardware:*

#121 Pulls

*Shown in Rustic Cherry with OCS-117 Asbury*

*Available with Optional Glass Top*







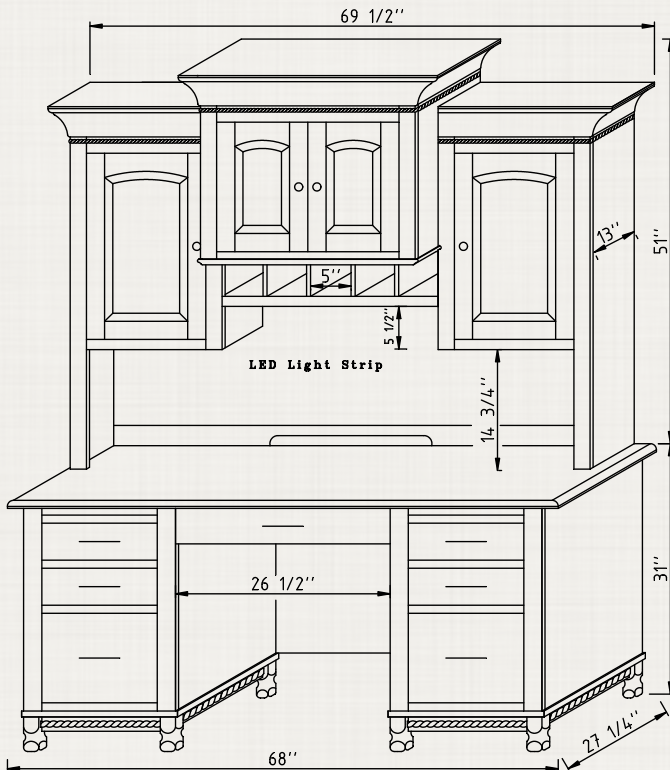
**HS-9212 WALL UNIT HUTCH**

69<sup>1</sup>/<sub>2</sub>"W x 51"H x 18<sup>1</sup>/<sub>4</sub>"D  
3 Adj. Shelves & LED Strip Light

**HS-9012 WALL UNIT DESK**

68"W x 31"H x 27<sup>1</sup>/<sub>4</sub>"D  
1 Keyboard Drawer, 2 Pencil Drawers  
1 File Drawer, 1 Writing Board Pullout  
1 False Drawer Front Door w/Printer Pullout & 1 Adj. Shelf

*Shown in Rustic Cherry with OCS-113 Michaels (10 Sheen)*



Ped. #935

Ped. #934 w/ 1-adj. shelf  
& Printer Pullout

**Standard Hardware:**

#120 Knobs, #121 Pulls

**Mix and Match Pedestal Options:**

#934 False Drawer Front Door w/ Printer Pullout & 1 Adj. Shelf

#935 Writing Board Pullout, 2 Pencil Drawers, File Drawer

#936 Writing Board Pullout, Adj. Shelf Behind Door

*Shown with Standard Pedestals #934 and #935*



LED Strip Light



Pedestal #936



Pedestal #934



# Henry Stephens OFFICE COLLECTION



## HS-9211 WALL UNIT HUTCH

69<sup>1</sup>/<sub>2</sub>"W x 50<sup>3</sup>/<sub>4</sub>"H x 14<sup>3</sup>/<sub>4</sub>"D  
 4 Adj. Glass Shelves, 1 Adj. Wood Shelf  
 2 Drawers, 2 Puck Lights w/Dimmer

## HS-9011 WALL UNIT DESK

68"W x 31"H x 25<sup>1</sup>/<sub>4</sub>"D  
 1 Keyboard Drawer, 2 Pencil Drawers, 1 File Drawer  
 2 Writing Board Pullouts, 1 Adj. Shelf

*Shown in Wormy Maple with FC-22924*

### Standard Hardware:

#120 Knobs, #121 Pulls

### Mix and Match Pedestal Options:

#934 False Drawer Front Door w/ Printer Pullout & 1 Adj. Shelf

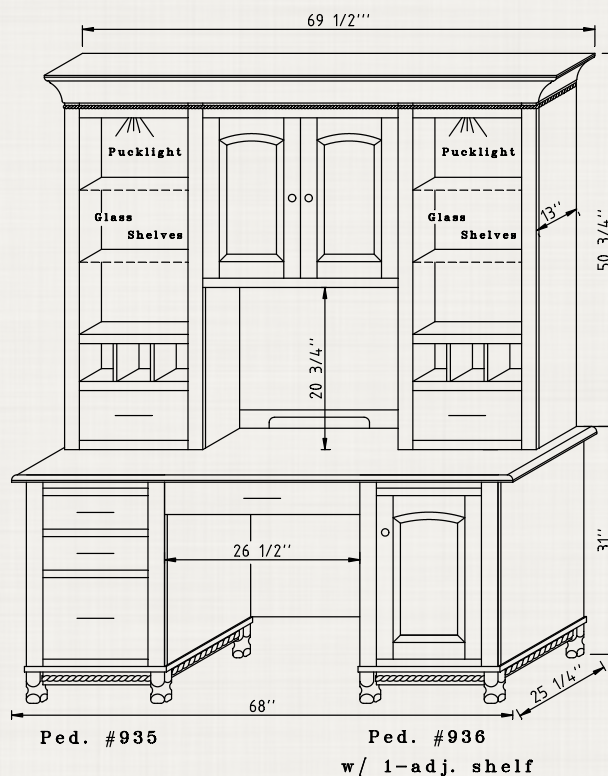
#935 Writing Board Pullout, 2 Pencil Drawers, File Drawer

#936 Writing Board Pullout, Adj. Shelf Behind Door

*Shown with Standard Pedestals #935 and #936*



Pedestal #934







**HS-9220 KNEEHOLE HUTCH**

52<sup>1</sup>/<sub>2</sub>"W x 44<sup>3</sup>/<sub>4</sub>"H x 14<sup>3</sup>/<sub>4</sub>"D

1 Glass Shelf, 2 Wood Shelves

1 Puck Light w/Dimmer

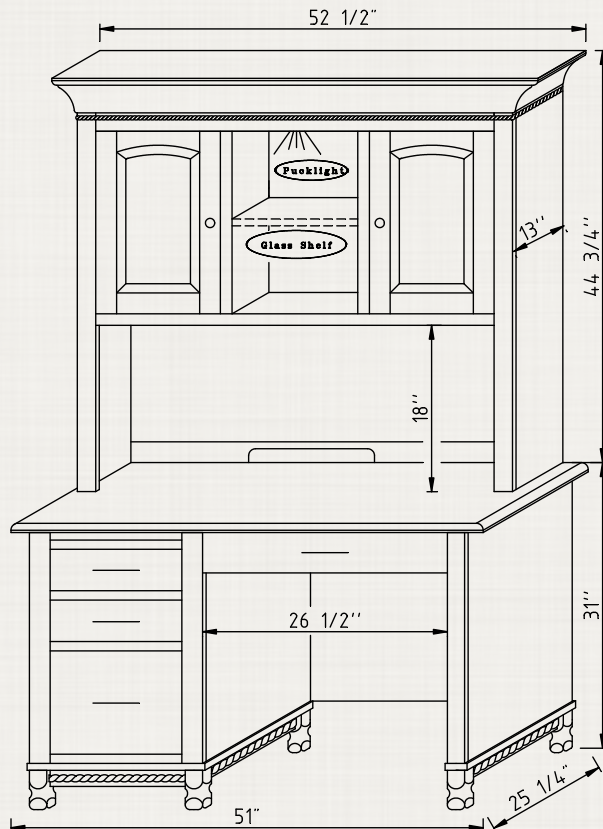
**HS-9020 KNEEHOLE DESK**

51"W x 31"H x 25<sup>1</sup>/<sub>4</sub>"D

1 Keyboard Drawer, 2 Pencil Drawers, 1 File Drawer,

1 Writing Board Pullout

*Shown in Brown Maple with OCS-119 Cappuccino*



*Standard Hardware:*

#120 Knobs, #121 Pulls

*Shown with #124 Knobs, #125 Pulls*



# Henry Stephens OFFICE COLLECTION



## **HS-9032** 48" WRITING DESK

48"W x 30 $\frac{1}{2}$ "H x 25"D

1 Keyboard Drawer

*Standard Hardware:*

#121 Pull

*Shown in Rustic Cherry with OCS-113 Michaels*



## **HS-9034** 60" WRITING DESK

60"W x 30 $\frac{1}{2}$ "H x 25"D

1 Keyboard Drawer, 2 Pencil Drawers

*Standard Hardware:*

#121 Pulls

*Shown in Rustic Cherry with OCS-113 Michaels*





**HS-9016** LATERAL FILE

34½"W x 31"H x 23"D

*Standard Hardware:*

#121 Pulls

*Shown in Rustic Cherry with OCS-117 Asbury*



**HS-9017** 4-DRAWER FILE CABINET

20¾"W x 55"H x 23"D

*Standard Hardware:*

#121 Pulls

*Shown in Cherry with OCS-106 Acres  
with Lock Option*





**HS-9019 3-DRAWER FILE CABINET**

20<sup>3</sup>/<sub>4</sub>"W x 42<sup>3</sup>/<sub>4</sub>"H x 23"D

*Standard Hardware:*

#121 Pulls

*Shown in Cherry with OCS-106 Acres  
with Lock Option*



**HS-9018 2-DRAWER FILE CABINET**

20<sup>3</sup>/<sub>4</sub>"W x 31"H x 23"D

*Standard Hardware:*

#121 Pulls

*Shown in Cherry with OCS-106 Acres  
with Lock Option*

*Also Available:*

**HS-9216 Hutch**

38"W x 44<sup>3</sup>/<sub>4</sub>"H x 14<sup>3</sup>/<sub>4</sub>"D

2 Adj. Shelves







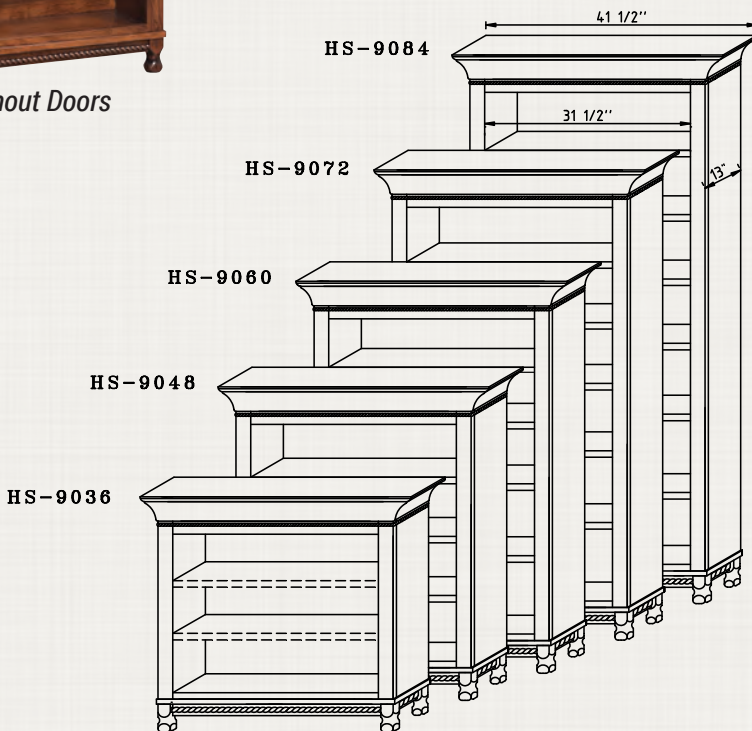
**HS-9072** BOOKCASE

41 1/2"W x 72"H x 15 1/2"D

*Shown in Rustic Cherry with OCS-113 Michaels  
w/Optional Wood Doors on Bottom*



*Without Doors*





# Henry Stephens OFFICE COLLECTION



## HS-9013 3-PIECE BOOKCASE W/2 DOORS

100"W x 82"H x 18<sup>3</sup>/<sub>4</sub>"D  
3 Fixed Shelves, 9 Adj. Shelves

*Standard Hardware:*  
#120 Knobs

Shown in Cherry with OCS-108 S-14

*Also Available*

HS-9013-LF 3-Piece Bookcase w/2 Lateral File Drawers







# Home Office

## FEATURES & OPTIONS



Writing Board Pullout



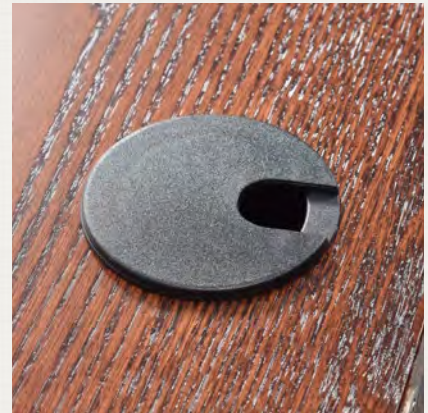
Keyboard Drawer



Printer Pullout



Puck Lights



Grommet Hole in Top,  
Specify Location



Lock on Drawer



Letter/Legal File



Letter File



*Finley*  
OFFICE COLLECTION







**FL-9249 CORNER HUTCH**

77<sup>3</sup>/<sub>4</sub>"W x 51"H x 18"D

2 Drawers, 3 Adj. Shelves

**FL-9049 CORNER DESK**

76"W x 31"H x 27<sup>1</sup>/<sub>2</sub>"D

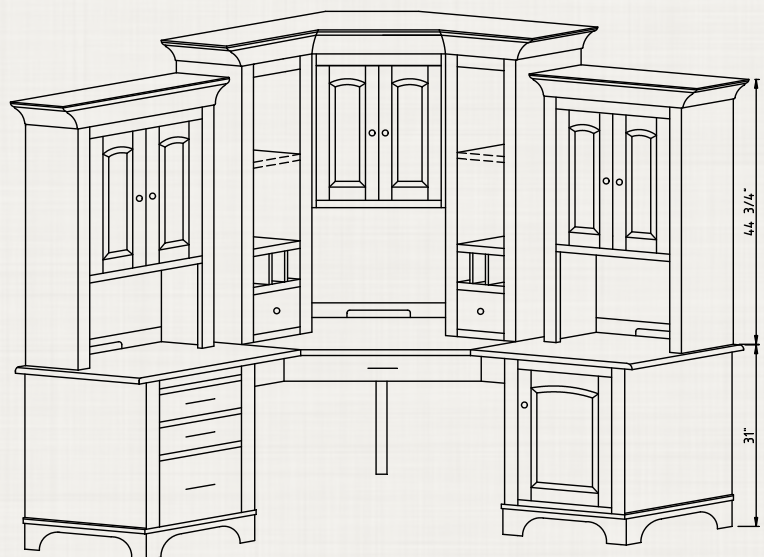
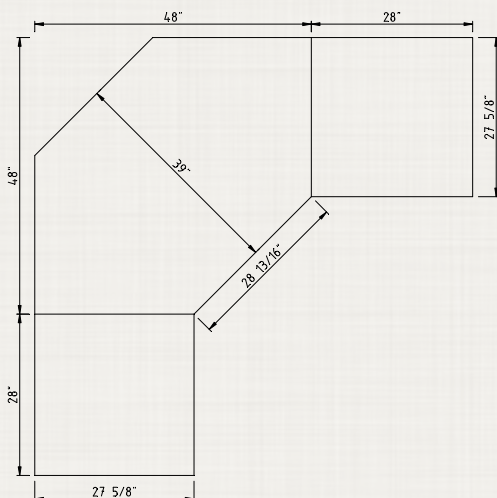
1 Keyboard Drawer, 2 Pencil Drawers, 1 File Drawer

2 Writing Board Pullouts, 1 Adj. Shelf

*Standard Hardware:*

#120 Knobs, #121 Pulls

*Shown in Rustic Cherry with OCS 113 Michaels (10 Sheen)*







**FL-9247 PARTNER DESK HUTCH**

112"W x 50<sup>3</sup>/<sub>4</sub>"H x 18<sup>1</sup>/<sub>4</sub>"D  
5 Adj. Shelves, 1 LED Strip Light

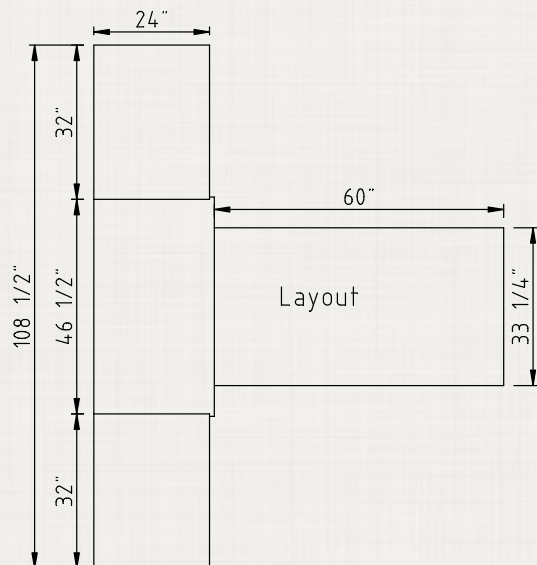
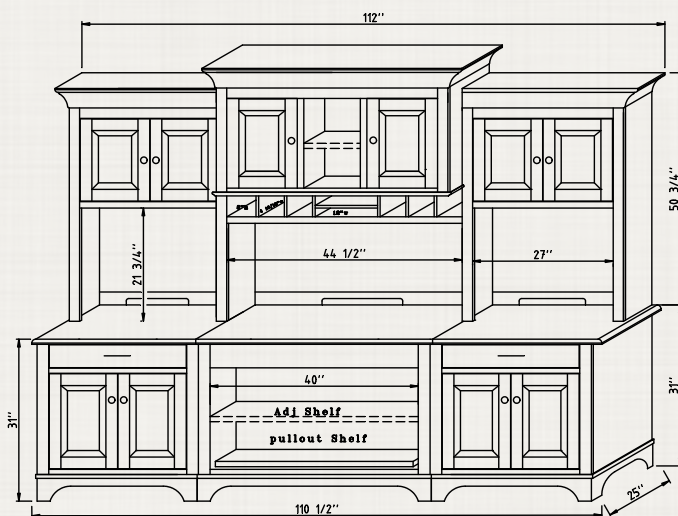
**FL-9047 PARTNER DESK**

2 Keyboard Drawers, 6 Pencil Drawers, 2 File Drawers,  
2 Writing Board Pullouts, 3 Adj. Shelves, 1 Printer Pullout

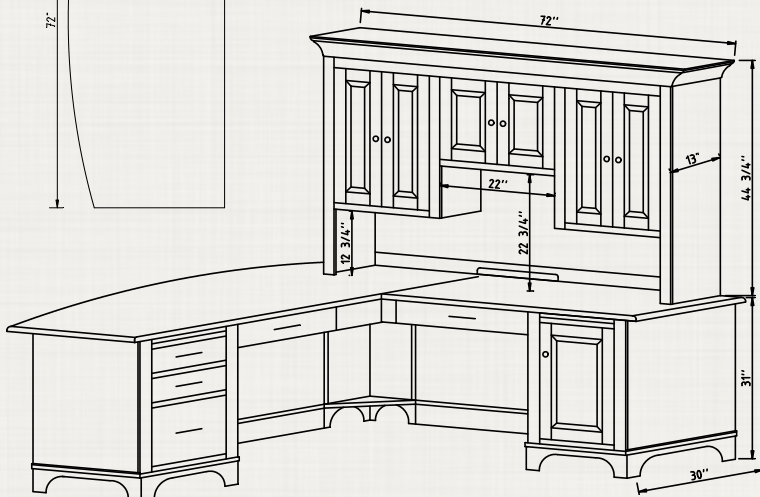
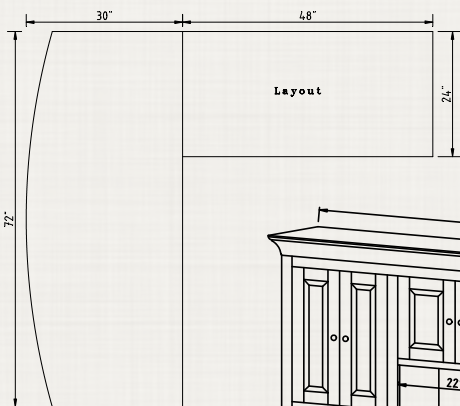
*Standard Hardware:*

#120 Knobs, #121 Pulls

Shown in Rustic Cherry with OCS-113 Michaels







**FL-9241 L-CORNER DESK HUTCH**

72"W x 44<sup>3</sup>/<sub>4</sub>"H x 14<sup>3</sup>/<sub>4</sub>"D

5 Adj. Shelves

**FL-9041 L-CORNER DESK**

78"W x 72"W x 31"H x 30"D

1 Keyboard Drawer, 3 Pencil Drawers

1 File Drawer, 2 Writing Board Pullouts, 1 Adj. Shelf  
w/Finished Back

**Standard Hardware:**

#120 Knobs, #121 Pulls

Shown in Sap Cherry with OCS-106 Acres

**Mix and Match Pedestal Options:**

#934 False Drawer Front Door w/ Printer Pullout & 1 Adj. Shelf

#935 Writing Board Pullout, 2 Pencil Drawers, File Drawer

#936 Writing Board Pullout, Adj. Shelf Behind Door

Shown with Standard Pedestals #935 and #936

Also Available with Raised Panel Sides and Back





**FL-9030 EXECUTIVE DESK**

68"W x 31"H x 34"D

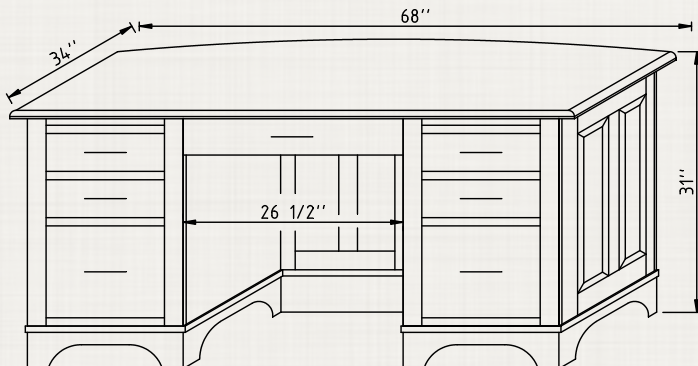
1 Keyboard Drawer, 4 Pencil Drawers  
2 File Drawers, 2 Writing Board Pullouts  
w/Finished Raised Panel Back

*Standard Hardware:*

#121 Pulls

Shown in Sap Cherry with OCS-106 Acres

Available with Optional Glass Top







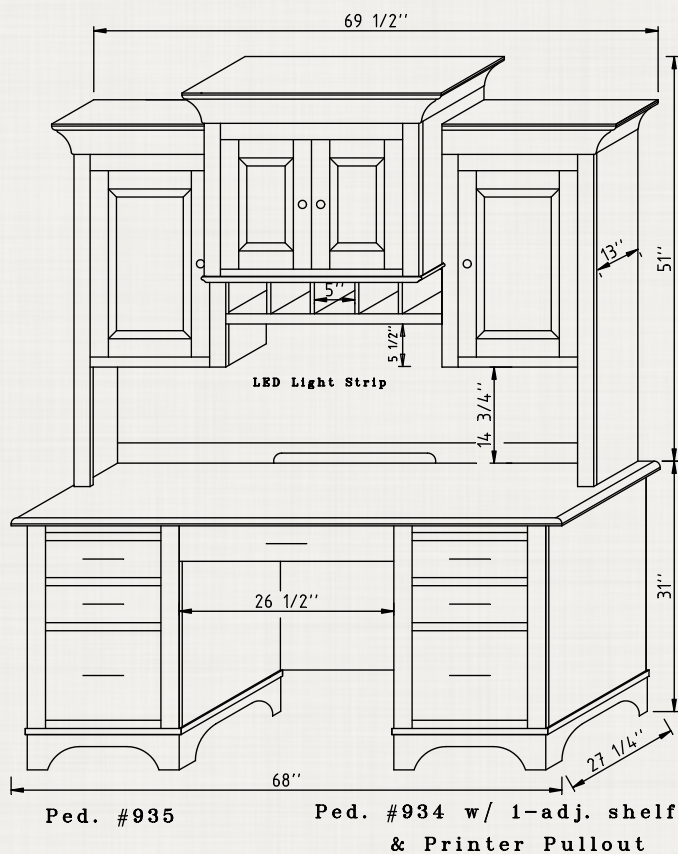
**FL-9212 WALL UNIT HUTCH**

69 1/2" W x 51" H x 18 1/4" D  
3 Adj. Shelves & LED Strip Light

**FL-9012 WALL UNIT DESK**

68" W x 31" H x 27 1/4" D  
1 Keyboard Drawer, 2 Pencil Drawers  
1 File Drawer, 1 Writing Board Pullout  
1 False Drawer Front Door w/Printer Pullout & 1 Adj. Shelf

*Shown in Brown Maple with Driftwood  
and OCS-230 Onyx*



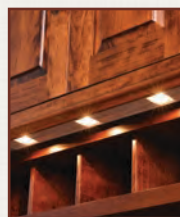
*Standard Hardware:*

#120 Knobs, #121 Pulls

*Mix and Match Pedestal Options:*

- #934 False Drawer Front Door w/ Printer Pullout & 1 Adj. Shelf
- #935 Writing Board Pullout, 2 Pencil Drawers, File Drawer
- #936 Writing Board Pullout, Adj. Shelf Behind Door

*Shown with Standard Pedestals #934 and #935*



LED Strip Light



Pedestal #936



Pedestal #934





## FL-9211 WALL UNIT HUTCH

69<sup>1</sup>/<sub>2</sub>"W x 50<sup>3</sup>/<sub>4</sub>"H x 14<sup>3</sup>/<sub>4</sub>"D

4 Adj. Glass Shelves, 1 Adj. Wood Shelf  
2 Drawers, 2 Puck Lights w/Dimmer

## FL-9011 WALL UNIT DESK

68"W x 31"H x 25<sup>1</sup>/<sub>4</sub>"D

1 Keyboard Drawer, 2 Pencil Drawers, 1 File Drawer  
2 Writing Board Pullouts, 1 Adj. Shelf

*Shown in Wormy Maple with FC-22924*

### Standard Hardware:

#120 Knobs, #121 Pulls

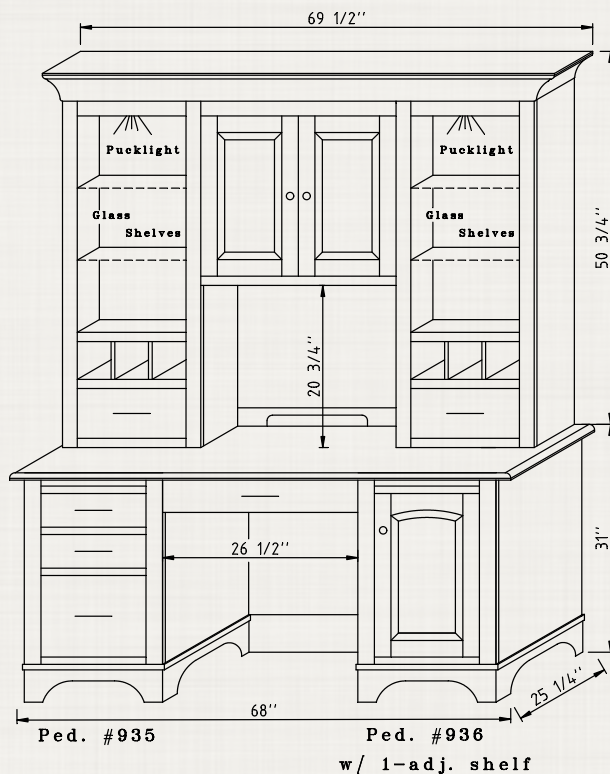
### Mix and Match Pedestal Options:

#934 False Drawer Front Door w/ Printer Pullout & 1 Adj. Shelf

#935 Writing Board Pullout, 2 Pencil Drawers, File Drawer

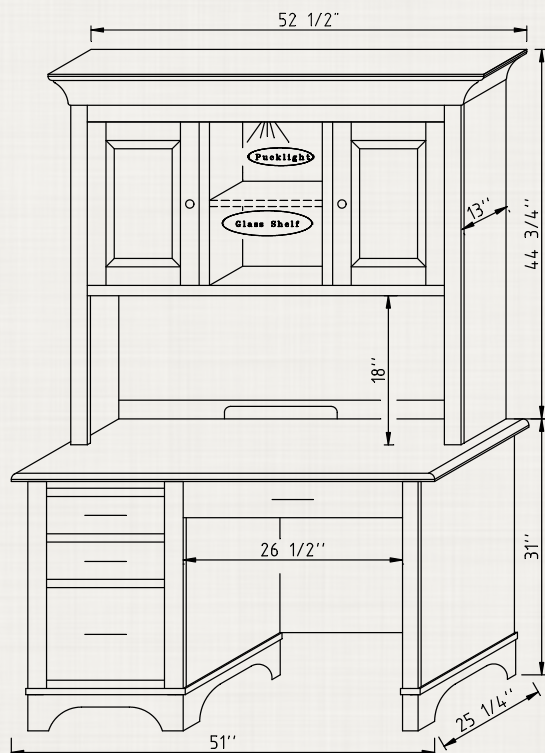
#936 Writing Board Pullout, Adj. Shelf Behind Door

*Shown with Standard Pedestals #935 and #936*



Pedestal #934





**FL-9220 KNEEHOLE HUTCH**

52<sup>1</sup>/<sub>2</sub>"W x 44<sup>3</sup>/<sub>4</sub>"H x 14<sup>3</sup>/<sub>4</sub>"D

1 Glass Shelf, 2 Wood Shelves

1 Puck Light w/Dimmer

**FL-9020 KNEEHOLE DESK**

51"W x 31"H x 25<sup>1</sup>/<sub>4</sub>"D

1 Keyboard Drawer, 2 Pencil Drawers, 1 File Drawer,

1 Writing Board Pullout

*Standard Hardware:*

#120 Knobs, #121 Pulls

*Shown in Brown Maple with OCS-119 Cappuccino*

*and #124 Knobs, #125 Pulls*





**FL-9032** 48" WRITING DESK

48"W x 30 $\frac{1}{2}$ "H x 25"D

1 Keyboard Drawer

*Standard Hardware:*

#121 Pull

*Shown in Brown Maple with Driftwood  
and OCS-230 Onyx*



**FL-9034** 60" WRITING DESK

60"W x 30 $\frac{1}{2}$ "H x 25"D

1 Keyboard Drawer, 2 Pencil Drawers

*Standard Hardware:*

#121 Pulls

*Shown in Rustic Cherry with OCS-113 Michaels*



**FL-9018** 2-DRAWER FILE CABINET

20 $\frac{3}{4}$ "W x 31"H x 23"D

*Standard Hardware:*

#121 Pulls

*Shown in Sap Cherry with OCS-106 Acres*





**FL-9019** 3-DRAWER FILE CABINET

20<sup>3</sup>/<sub>4</sub>"W x 42<sup>3</sup>/<sub>4</sub>"H x 23"D

*Standard Hardware:*

#121 Pulls

*Shown in Brown Maple with Driftwood and OCS-230 Onyx*



**FL-9017** 4-DRAWER FILE CABINET

20<sup>3</sup>/<sub>4</sub>"W x 55"H x 23"D

*Standard Hardware:*

#121 Pulls

*Shown in Brown Maple with Driftwood and OCS-230 Onyx*

**FL-9016** LATERAL FILE

34<sup>1</sup>/<sub>2</sub>"W x 31"H x 23"D

*Standard Hardware:*

#121 Pulls

*Shown in Rustic Cherry with OCS-117 Asbury*

*Also Available:*

**FL-9216** Hutch

38"W x 44<sup>3</sup>/<sub>4</sub>"H x 14<sup>3</sup>/<sub>4</sub>"D

2 Adj. Shelves





# *Hampton* OFFICE COLLECTION





**HM-3243** L-CORNER DESK HUTCH

72<sup>1</sup>/<sub>2</sub>"W x 27"H x 13<sup>3</sup>/<sub>8</sub>"D

Also Available w/Wood Doors

**HM-3043** L-CORNER DESK

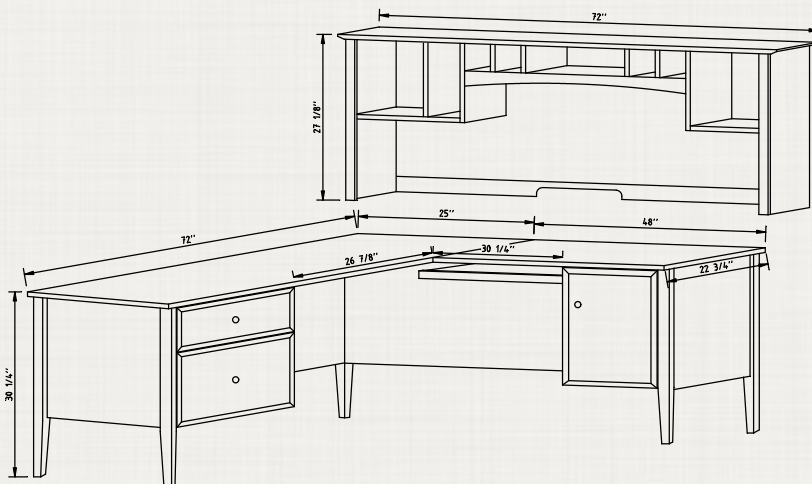
73"W x 30<sup>1</sup>/<sub>4</sub>"H x 25"D

1 Keyboard Pullout, 1 Pencil Drawer,  
1 File Drawer, Finished Back

*Standard Hardware:*

#20 Knobs

Shown in Brown Maple with OCS-111 Boston  
with #40 Knobs





# Hampton OFFICE COLLECTION



## HM-3030 EXECUTIVE DESK

63<sup>3</sup>/<sub>4</sub>"W x 30<sup>1</sup>/<sub>4</sub>"H x 30"D

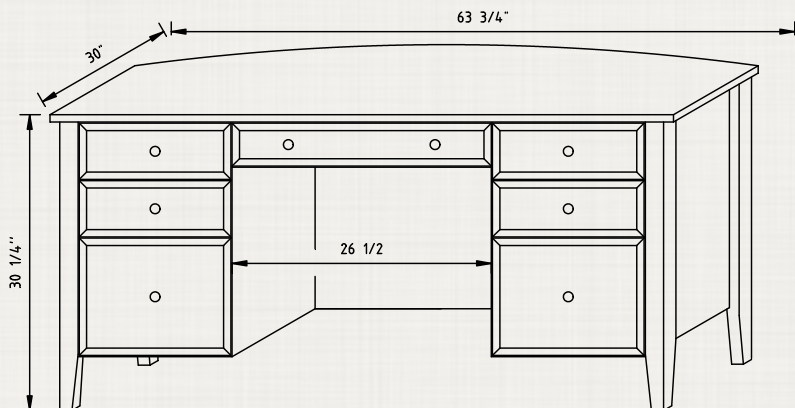
1 Keyboard Drawer, 4 Pencil Drawers

2 File Drawers, w/Finished Back

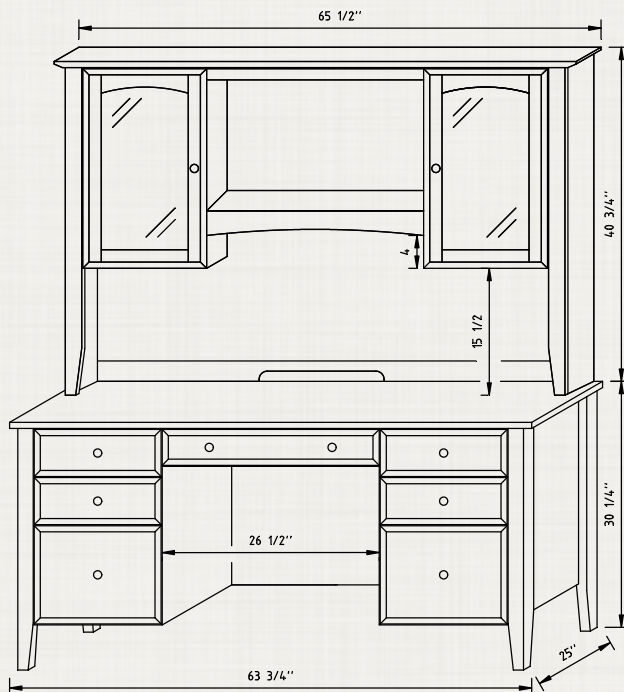
### *Standard Hardware:*

#20 Knobs

*Shown in Oak with OCS-107 Washington  
and #123 Pulls*







**HM-3212 WALL UNIT HUTCH**

63<sup>3</sup>/<sub>4</sub>"W x 40<sup>3</sup>/<sub>4</sub>"H x 13<sup>3</sup>/<sub>8</sub>"D

2 Wood Shelves

Standard w/Glass Doors

**HM-3012 WALL UNIT DESK**

63<sup>3</sup>/<sub>4</sub>"W x 30<sup>1</sup>/<sub>4</sub>"H x 25"D

1 Keyboard Drawer, 4 Pencil Drawers,

2 File Drawers, w/Finished Back

*Standard Hardware:*

#20 Knobs

*Shown in Brown Maple with OCS-113 Michaels*



# Hampton OFFICE COLLECTION



## HM-3220 KNEEHOLE HUTCH

48"W x 40<sup>3</sup>/<sub>4</sub>"H x 13<sup>3</sup>/<sub>8</sub>"D

2 Adj. Shelves

## HM-3020 KNEEHOLE DESK

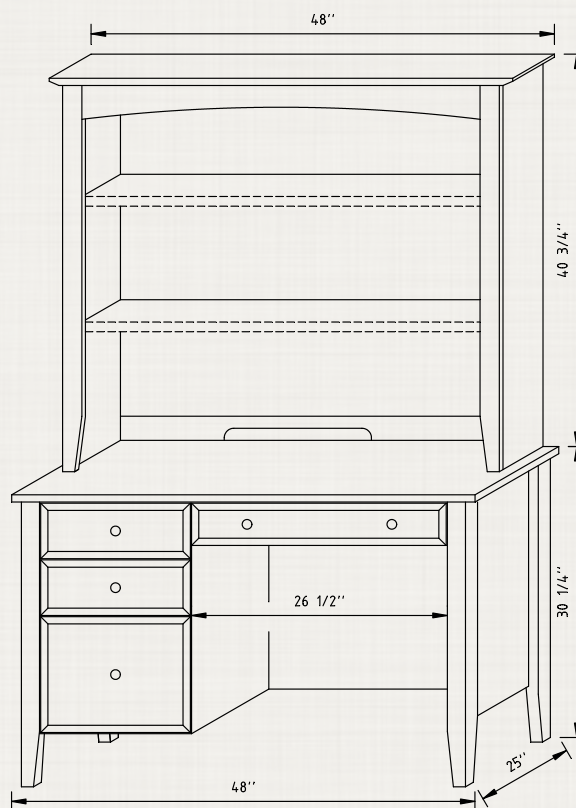
48"W x 30<sup>1</sup>/<sub>4</sub>"H x 25"D

1 Keyboard Drawer, 2 Pencil Drawers,  
1 File Drawer, w/Finished Back

### *Standard Hardware:*

#20 Knobs

*Shown in Oak with OCS-104 Seely*







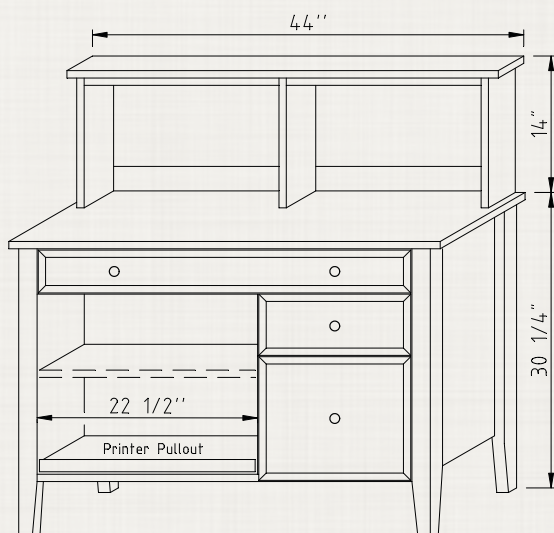
**HM-3225 CREDENZA HUTCH**  
44"W x 14"H x 10"D

**HM-3025 CREDENZA DESK**  
44"W x 30 1/4"H x 23"D  
1 Keyboard Drawer, 1 Pencil Drawer,  
1 File Drawer, 1 Printer Pullout, 1 Adj. Shelf

*Standard Hardware:*

#20 Knobs

*Shown in Brown Maple with OCS-118 Antique Slate  
and #32 Pulls*





# Hampton OFFICE COLLECTION



## **HM-3032** 48" WRITING DESK

48"W x 30<sup>1</sup>/<sub>4</sub>"H x 25"D

1 Keyboard Drawer

*Standard Hardware:*

#20 Knobs

*Shown in Brown Maple with OCS-117 Asbury*



## **HM-3034** 60" WRITING DESK

60"W x 30<sup>1</sup>/<sub>4</sub>"H x 25"D

1 Keyboard Drawer, 2 Pencil Drawers

*Standard Hardware:*

#20 Knobs

*Shown in Brown Maple with OCS-117 Asbury*





**HM-3016** LATERAL FILE

35<sup>1</sup>/<sub>4</sub>"W x 30<sup>1</sup>/<sub>4</sub>"H x 22<sup>1</sup>/<sub>2</sub>"D  
w/Finished Back

*Standard Hardware:*  
#20 Knobs

*Shown in Brown Maple with OCS-229 Bing Cherry*

*Also Available:*

**HM-3216** Lateral File Hutch  
35<sup>1</sup>/<sub>4</sub>"W x 40<sup>3</sup>/<sub>4</sub>"H x 13<sup>3</sup>/<sub>8</sub>"D  
2 Adj. Shelves



**HM-3017** 4-DRAWER FILE CABINET

21<sup>1</sup>/<sub>2</sub>"W x 54<sup>1</sup>/<sub>8</sub>"H x 25"D  
w/Finished Back

*Standard Hardware:*  
#20 Knobs

*Shown in Brown Maple with OCS-111 Boston  
and #40 Knobs*





**HM-3019** 3-DRAWER FILE CABINET

21 $\frac{1}{2}$ "W x 42 $\frac{7}{16}$ "H x 25"D  
w/Finished Back

*Standard Hardware:*

#20 Knobs

*Shown in Brown Maple with OCS-111 Boston  
and #40 Knobs*



**HM-3018** 2 DRAWER FILE CABINET

21 $\frac{1}{2}$ "W x 30 $\frac{1}{4}$ "H x 25"D  
w/Finished Back

*Standard Hardware:*

#20 Knobs

*Shown in Brown Maple with OCS-111 Boston  
and #40 Knobs*







**HM-3072 BOOKCASE**

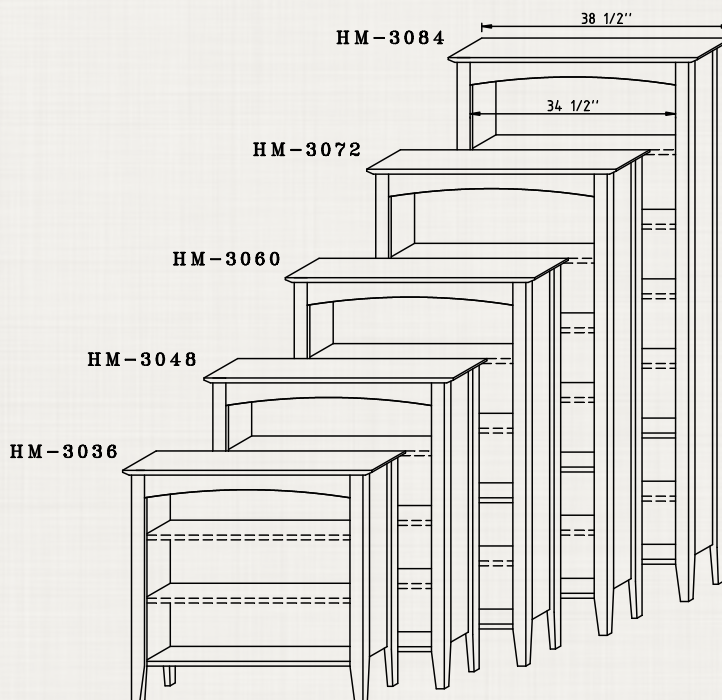
38<sup>1</sup>/<sub>2</sub>"W x 72"H x 15<sup>1</sup>/<sub>2</sub>"D

1 Fixed Shelf, 4 Adj. Shelves

*Standard Hardware:*

#20 Knobs

*Shown in Brown Maple with OCS-229 Bing Cherry  
w/Optional Wood Doors at Bottom*

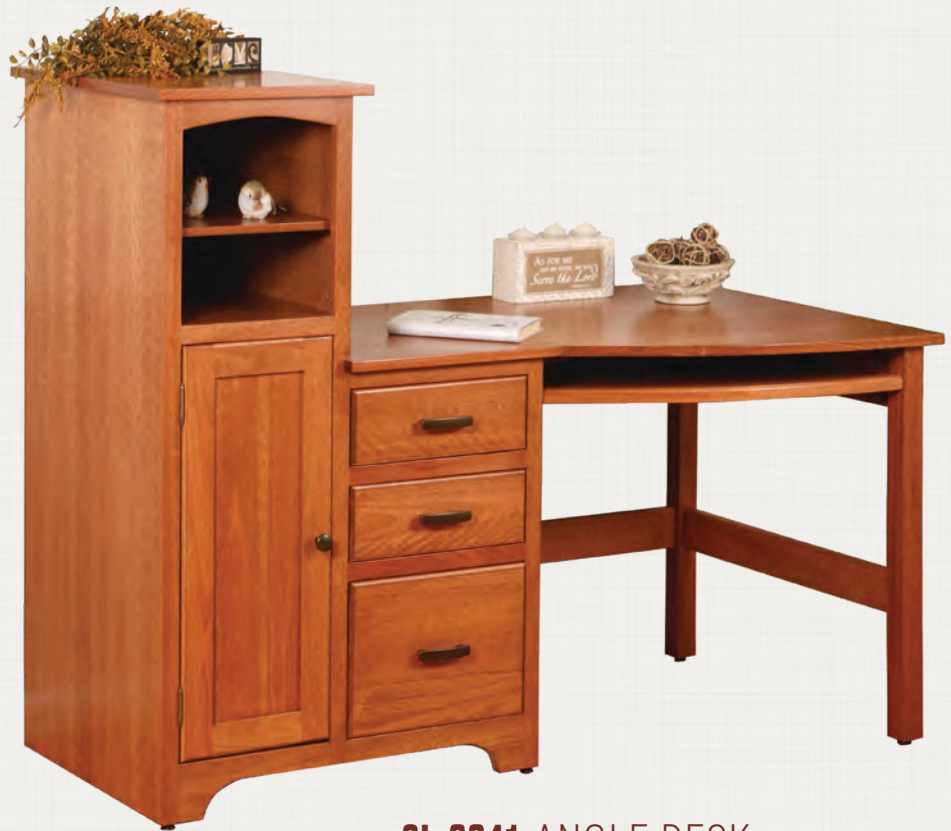




# Clark OFFICE COLLECTION







**CL-6041** ANGLE DESK

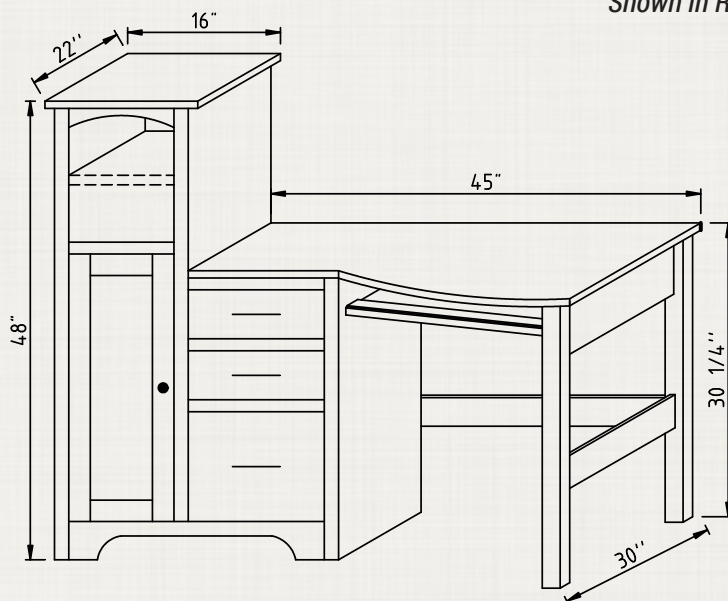
60<sup>1</sup>/<sub>4</sub>"W x 48"H x 30"D

1 Keyboard Pullout, 2 Pencil Drawers,  
1 File Drawer, 2 Adj. Shelves

*Standard Hardware:*

#126 Knob, #127 Pulls

*Shown in Rustic Cherry with OCS-108 S-14*





# Clark OFFICE COLLECTION



## CL-6050 COMPUTER DESK

57<sup>3</sup>/<sub>4</sub>"W x 48"H x 23<sup>3</sup>/<sub>4</sub>"D  
 1 Keyboard Pullout, 1 File Drawer  
 1 Printer Pullout, 1 Adj. Shelf

### *Standard Hardware:*

#126 Knob, #127 Pull

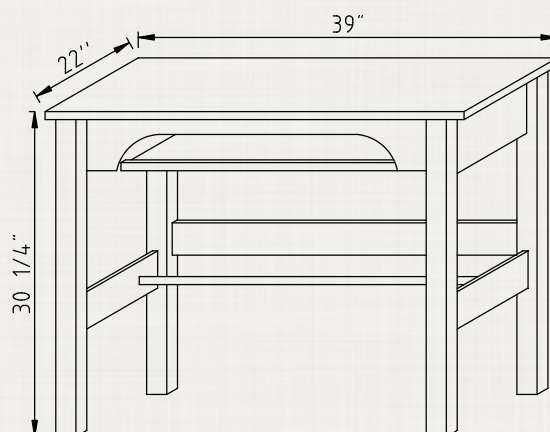
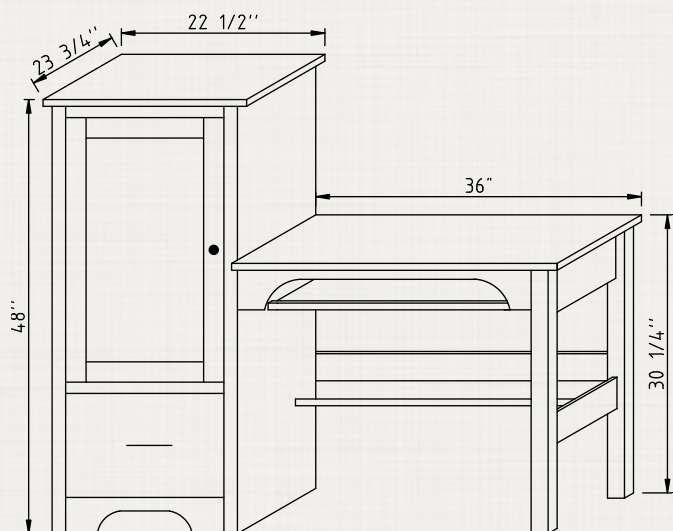
*Shown in Cherry with OCS-103 MX*



## CL-6015 WRITING DESK

39"W x 30<sup>1</sup>/<sub>2</sub>"H x 22"D  
 1 Keyboard Pullout

*Shown in Oak with OCS-108 S-14*







# Home Office

## FEATURES & OPTIONS



Writing Board Pullout



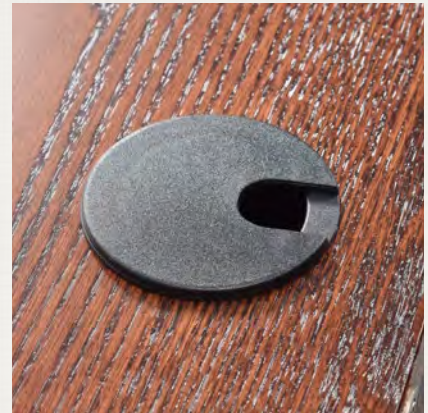
Keyboard Drawer



Printer Pullout



Puck Lights



Grommet Hole in Top,  
Specify Location



Lock on Drawer



Letter/Legal File



Letter File



# *Kingston* OFFICE COLLECTION







**KT-8070 HUTCH TOP**

72<sup>1</sup>/<sub>2</sub>"W x 46"H x 15<sup>1</sup>/<sub>2</sub>"D

Heights of Workspace Area in Hutch: 15<sup>3</sup>/<sub>4</sub>" to 19<sup>3</sup>/<sub>4</sub>"

5 Adj. Shelves

**KT-7270 L CORNER DESK**

70"W x 30<sup>1</sup>/<sub>4</sub>"H x 25"D

26<sup>1</sup>/<sub>2</sub>"W Knee hole

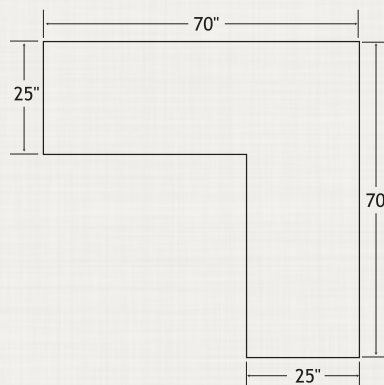
1 File Drawer, 2 Pencil Drawers, 2 Keyboard Drawer,

2 Writing Board Pullouts, 1 Door w/ 1 Adj. Shelf

*Standard Hardware:*

#18 Knobs, #19 Pulls

*Shown in Oak with OCS-113 Michaels*







**KT-7470 L CORNER DESK**

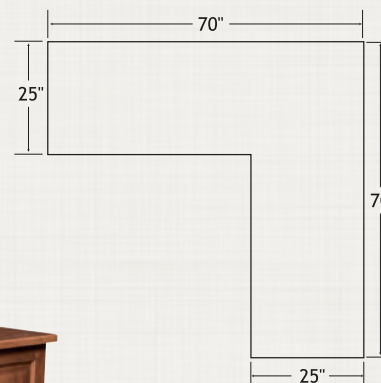
70"W x 30<sup>1</sup>/<sub>4</sub>"H x 25"D

2 File Drawer, 4 Pencil Drawers,  
2 Keyboard Drawers, 2 Writing Board Pullouts

*Standard Hardware:*

#18 Knobs, #19 Pulls

Shown in Rustic Cherry with OCS-104 Seely  
and #40 Knobs, #41 Pulls





**KT-8070 HUTCH TOP**

72<sup>1</sup>/<sub>2</sub>"W x 46"H x 15<sup>1</sup>/<sub>2</sub>"D

Heights of Workspace Area in Hutch: 15<sup>3</sup>/<sub>4</sub>" to 19<sup>3</sup>/<sub>4</sub>"  
5 Adj. Shelves

**KT-7070 70" EXECUTIVE DESK**

71"W x 30<sup>1</sup>/<sub>4</sub>"H x 34"D

2 File Drawers, 4 Drawers, 1 Keyboard Drawer,  
2 Writing Board Pullouts, Finished Raised Panel Back

*Standard Hardware:*

#18 Knobs, #19 Pulls

*Shown in Oak with OCS-113 Michaels*



**KT-8060 HUTCH TOP**

62<sup>1</sup>/<sub>4</sub>"W x 46"H x 15<sup>1</sup>/<sub>2</sub>"D

Heights of Workspace Area in Hutch: 15<sup>3</sup>/<sub>4</sub>" to 19<sup>3</sup>/<sub>4</sub>"  
5 Adj. Shelves

**KT-7060 60" EXECUTIVE DESK**

60<sup>3</sup>/<sub>4</sub>"W x 30<sup>1</sup>/<sub>4</sub>"H x 29"D

26<sup>1</sup>/<sub>2</sub>"W Kneehole

2 File Drawers, 4 Pencil Drawers, 1 Keyboard Drawer,  
2 Writing Board Pullouts, Finished Raised Panel Back

*Standard Hardware:*

#18 Knobs, #19 Pull

*Shown in Brown Maple with OCS-230 Onyx*







**KT-8060 HUTCH TOP**

62<sup>1</sup>/<sub>4</sub>"W x 46"H x 15<sup>1</sup>/<sub>2</sub>"D

Heights of Workspace Area in Hutch: 15<sup>3</sup>/<sub>4</sub>" to 19<sup>3</sup>/<sub>4</sub>"

5 Adj. Shelves

**KT-7160 60" EXECUTIVE DESK**

60<sup>1</sup>/<sub>4</sub>"W x 30<sup>1</sup>/<sub>4</sub>"H x 25"D

23<sup>3</sup>/<sub>4</sub>"W Knee-hole

2 File Drawers, 4 Pencil Drawers, 1 Keyboard Drawer,

Finished Raised Panel Back

*Standard Hardware:*

#18 Knobs, #19 Pulls

*Shown in Oak with OCS-102 Fruitwood*



**KT-8155 HUTCH TOP**

58"W x 46"H x 15<sup>1</sup>/<sub>2</sub>"D

Heights of Workspace Area in Hutch: 15<sup>3</sup>/<sub>4</sub>" to 19<sup>3</sup>/<sub>4</sub>"

5 Adj. Shelves

**KT-7155 COMPUTER DESK**

55<sup>1</sup>/<sub>2</sub>"W x 30<sup>1</sup>/<sub>4</sub>"H x 25"D

23<sup>3</sup>/<sub>4</sub>"W Knee-hole

1 File Drawer, 2 Pencil Drawers,

1 Keyboard Drawer, 1 Door w/Adj. Shelf

*Standard Hardware:*

#18 Knobs, #19 Pulls

*Shown in Cherry with OCS-113 Michaels*







**KT-8043 HUTCH TOP**

45"W x 35"H x 13"D

Heights of Workspace Area in Hutch: 16<sup>1</sup>/<sub>4</sub>" to 20<sup>1</sup>/<sub>4</sub>"  
2 Adj. Shelves

**KT-7043 KNEEHOLE DESK**

44<sup>1</sup>/<sub>2</sub>"W x 30<sup>1</sup>/<sub>4</sub>"H x 25"D

23<sup>3</sup>/<sub>4</sub>"W Kneehole

1 File Drawer, 2 Pencil Drawers,  
1 Keyboard Drawer

*Standard Hardware:*

#18 Knobs, #19 Pulls

*Shown in Oak with OCS-111 Boston  
and #73 Pulls*



**KT-8055 HUTCH TOP**

56"W x 35"H x 13"D

Heights of Workspace Area in Hutch: 16<sup>1</sup>/<sub>4</sub>" to 20<sup>1</sup>/<sub>4</sub>"  
2 Adj. Shelves

**KT-7155 COMPUTER DESK**

55<sup>1</sup>/<sub>2</sub>"W x 30<sup>1</sup>/<sub>4</sub>"H x 25"D

23<sup>3</sup>/<sub>4</sub>"W Kneehole

1 File Drawer, 2 Pencil Drawers, 1 Keyboard Drawer,  
1 Door w/Adj. Shelf

*Standard Hardware:*

#18 Knobs, #19 Pulls

*Shown in Oak with OCS-111 Boston  
and Optional Grommet*





**KT-9456** 4-DRAWER FILE

19<sup>1</sup>/<sub>4</sub>"W x 57"H x 25"D

*Standard Hardware:*

#19 Pulls

*Shown in Oak with OCS-111 Boston  
and P3000-R1 Pulls*



**KT-9343** 3-DRAWER FILE

19<sup>1</sup>/<sub>4</sub>"W x 43<sup>5</sup>/<sub>8</sub>"H x 25"D

*Standard Hardware:*

#19 Pulls

*Shown in Oak with OCS-102 Fruitwood  
with Lock Option*





**KT-9230** 2-DRAWER FILE

19<sup>1</sup>/<sub>4</sub>"W x 30<sup>1</sup>/<sub>4</sub>"H x 25"D

*Standard Hardware:*

#19 Pulls

*Shown in Oak with OCS-111 Boston  
and #73 Pulls*



**KT-9233** 2-DRAWER LATERAL FILE

33<sup>1</sup>/<sub>2</sub>"W x 30<sup>1</sup>/<sub>4</sub>"H x 20<sup>1</sup>/<sub>2</sub>"D

*Standard Hardware:*

#19 Pulls

*Shown in Rustic Cherry with OCS-113 Michaels  
with Lock Option*



**KT-9462** 4-DRAWER LATERAL FILE

63<sup>1</sup>/<sub>2</sub>"W x 30<sup>1</sup>/<sub>4</sub>"H x 20<sup>1</sup>/<sub>2</sub>"D

*Standard Hardware:*

#19 Pulls

*Shown in Rustic Cherry with OCS-113 Michaels  
with Lock Option*



# *Linwood* OFFICE COLLECTION







**LW-8870 HUTCH TOP**

70"W x 36"H x 14<sup>1</sup>/<sub>2</sub>"D

Heights of Workspace Area in Hutch: 15<sup>3</sup>/<sub>4</sub>" to 19<sup>1</sup>/<sub>2</sub>"  
2 Adj. Shelves

**LW-7870 L CORNER DESK**

70"W x 30<sup>1</sup>/<sub>4</sub>"H x 25<sup>1</sup>/<sub>2</sub>"D

2 File Drawers, 4 Pencil Drawers,  
2 Keyboard Drawers, Finished Back

*Standard Hardware:*

#20 Knobs, #22 Pulls

Shown in Oak with OCS-109 S-12

and #54 Knobs, #55 Pulls





# Linwood OFFICE COLLECTION



## **LW-8860 HUTCH TOP**

60"W x 36"H x 14"D

Heights of Workspace Area in Hutch: 15<sup>3</sup>/<sub>4</sub>" to 19<sup>1</sup>/<sub>2</sub>"  
2 Adj. Shelves

## **LW-7860 60" EXECUTIVE DESK**

60"W x 30<sup>1</sup>/<sub>4</sub>"H x 25<sup>1</sup>/<sub>2</sub>"D

21<sup>1</sup>/<sub>2</sub>"W Kneehole

2 File Drawers, 4 Pencil Drawers,  
1 Keyboard Drawer, Finished Back

### *Standard Hardware:*

#20 Knobs, #22 Pulls

*Shown in Brown Maple with OCS-228 Rich Tobacco  
and #64 Knobs, #65 Pulls*

## **LW-8848 HUTCH TOP**

50"W x 36"H x 14"D

Heights of Workspace Area in Hutch: 15<sup>3</sup>/<sub>4</sub>" to 19<sup>1</sup>/<sub>2</sub>"  
2 Adj. Shelves

## **LW-7848 50" EXECUTIVE DESK**

50"W x 30<sup>1</sup>/<sub>4</sub>"H x 25<sup>1</sup>/<sub>2</sub>"D

21<sup>1</sup>/<sub>2</sub>"W Kneehole

2 File Drawers, 4 Pencil Drawers, 1 Keyboard Drawer

### *Standard Hardware:*

#20 Knobs, #22 Pulls

*Shown in Brown Maple with OCS-113 Michaels*







**LW-8960** PIGEON HOLE HUTCH

60"W x 17"H x 13"D

Pigeon Hole Sizes: 4 $\frac{1}{2}$ "W x 13"H x 10"D

2 Adj. Shelves

**LW-7660** 60" COMPUTER CREDENZA

60"W x 30 $\frac{1}{4}$ "H x 20"D

2 File Drawers, 1 Keyboard Drawer,

1 Adj. Shelf

*Standard Hardware:*

#20 Knobs, #22 Pulls

*Shown in Brown Maple with OCS-119 Cappuccino*

*and #40 Knobs, #41 Pulls*



**LW-7844** KNEEHOLE DESK

43 $\frac{3}{4}$ "W x 30 $\frac{1}{4}$ "H x 25 $\frac{1}{2}$ "D

21 $\frac{1}{2}$ "W Knee-hole

1 File Drawer, 2 Pencil Drawers, 1 Keyboard Drawer

*Standard Hardware:*

#20 Knobs, #22 Pulls

*Shown in Brown Maple with OCS-117 Asbury-M*

*and #42 Pulls*



# Linwood OFFICE COLLECTION



## **LW-7748** 48" WRITING DESK

48"W x 30<sup>1</sup>/<sub>4</sub>"H x 25<sup>1</sup>/<sub>2</sub>"D

1 Keyboard Drawer

### *Standard Hardware:*

#20 Knob

*Shown in Brown Maple with OCS-119 Cappuccino and #40 Knob*

## **LW-7760** 60" WRITING DESK

60"W x 30<sup>1</sup>/<sub>4</sub>"H x 25<sup>1</sup>/<sub>2</sub>"D

1 Keyboard Drawer

### *Standard Hardware:*

#22 Pull

*Shown in Brown Maple with OCS-120 Husk and #42 Pull*



## **LW-7348** 48" WRITING DESK

50"W x 30<sup>1</sup>/<sub>4</sub>"H x 25<sup>1</sup>/<sub>2</sub>"D

21<sup>1</sup>/<sub>2</sub>"W Kneehole

1 File Drawer, 2 Pencil Drawers, 1 Keyboard Drawer

### *Standard Hardware:*

#20 Knobs

*Shown in Brown Maple with OCS-113 Michaels and #54 Knobs*





**LW-7360 60" WRITING DESK**

60"W x 30<sup>1</sup>/<sub>4</sub>"H x 25<sup>1</sup>/<sub>2</sub>"D

21<sup>1</sup>/<sub>2</sub>"W Knee hole

1 File Drawer, 2 Pencil Drawers, 1 Keyboard Drawer

*Standard Hardware:*

Knob #20, Pull #22

*Shown in QWO with OCS-111 Boston  
and #40 Knob, #42 Pulls*



**LW-7560 STANDING DESK**

60"W x 43"H x 25<sup>1</sup>/<sub>2</sub>"D

21<sup>1</sup>/<sub>2</sub>"W Knee hole

2 File Drawers, 4 Pencil Drawers, 1 Keyboard Drawer

*Standard Hardware:*

#20 Knob, #22 Pulls

*Shown in Brown Maple with OCS-343 Black Stain Rub  
Through OCS-113 Michaels*



# *Linwood* OFFICE COLLECTION



**LW-7725** CORNER TABLE

25 $\frac{1}{2}$ "W x 30 $\frac{1}{4}$ "H x 25 $\frac{1}{2}$ "D

*Shown in Brown Maple with OCS-228 Rich Tobacco*



**LW-7230** 2-DRAWER FILE

20 $\frac{1}{4}$ "W x 30 $\frac{1}{4}$ "H x 25 $\frac{1}{2}$ "D

*Standard Hardware:*

#22 Pulls

*Shown in Brown Maple with OCS-120 Husk  
and #42 Pulls*



**LW-7720** CORNER TABLE

25 $\frac{1}{2}$ "W x 30 $\frac{1}{4}$ "H x 20"D

*Shown in Brown Maple with OCS-119 Cappuccino*



**LW-7233** 2-DRAWER LATERAL FILE

35 $\frac{1}{2}$ "W x 30 $\frac{1}{4}$ "H x 20"D

*Standard Hardware:*

#22 Pulls

*Shown in Brown Maple with OCS-225 Mission Maple  
and #41 Pulls*





**LW-7456 4-DRAWER FILE**

20<sup>1</sup>/<sub>4</sub>"W x 55<sup>1</sup>/<sub>4</sub>"H x 25<sup>1</sup>/<sub>2</sub>"D

*Standard Hardware:*

#22 Pulls

*Shown in Oak with OCS-230 Onyx  
and #32 Pulls*



**LW-7343 3-DRAWER FILE**

20<sup>1</sup>/<sub>4</sub>"W x 43<sup>3</sup>/<sub>4</sub>"H x 25<sup>1</sup>/<sub>2</sub>"D

*Standard Hardware:*

#22 Pulls

*Shown in Brown Maple with OCS-116 Harvest*



# *Desk Chairs* COLLECTION



**100** THUMB BACK  
ARM DESK CHAIR



**98** THUMB BACK  
SIDE DESK CHAIR



**96** THUMB BACK CHAIR



**99** WINDSOR  
ARM DESK CHAIR



**97** WINDSOR  
SIDE DESK CHAIR



**95** WINDSOR CHAIR





# *Bookcases* COLLECTION



**BROOKLYN COLLECTION.....BB1**



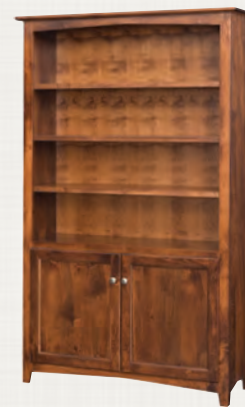
**HENRY STEPHENS COLLECTION.....HSB1**



**HAMPTON COLLECTION.....HMB1**



**KINGSTON COLLECTION.....KTB1**



**LINWOOD COLLECTION.....LWB1**



# Brooklyn BOOKCASES



**BB-3084**

**BB-3072**

**BB-3060**

**BB-3048**

**BB-3036**

**BB-3036** 36" BOOKCASE

34"W x 36"H x 15"D  
2 Adj. Shelves

**BB-3048** 48" BOOKCASE

34"W x 48"H x 15"D  
3 Adj. Shelves

**BB-3060** 60" BOOKCASE

34"W x 60"H x 15"D  
3 Adj. Shelves & 1 Fixed Shelf

**BB-3072** 72" BOOKCASE

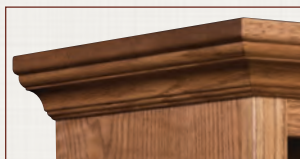
34"W x 72"H x 15"D  
4 Adj. Shelves & 1 Fixed Shelf

**BB-3084** 84" BOOKCASE

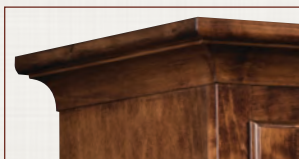
34"W x 84"H x 15"D  
5 Adj. Shelves & 1 Fixed Shelf

*Shown in Oak with OCS-113 Michaels*

**BROOKLYN BOOKCASE STYLE OPTIONS**



**A-STYLE**



**B-STYLE**



**C-STYLE**



**D-STYLE**







**BB-3636** 36" BOOKCASE

40"W x 36"H x 15"D  
2 Adj. Shelves

**BB-3648** 48" BOOKCASE

40"W x 48"H x 15"D  
3 Adj. Shelves

**BB-3660** 60" BOOKCASE

40"W x 60"H x 15"D  
3 Adj. Shelves & 1 Fixed Shelf

**BB-3672** 72" BOOKCASE

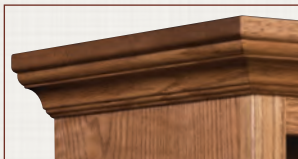
40"W x 72"H x 15"D  
4 Adj. Shelves & 1 Fixed Shelf

**BB-3684** 84" BOOKCASE

40"W x 84"H x 15"D  
5 Adj. Shelves & 1 Fixed Shelf

*Shown in Brown Maple with OCS-117 Asbury*

**BROOKLYN BOOKCASE STYLE OPTIONS**



**A-STYLE**



**B-STYLE**



**C-STYLE**



**D-STYLE**







**3 BB-3684SS** BOOKCASES TO CREATE A WALL UNIT

112"W x 84"H x 15"D

15 Adj. Shelves

*Standard Hardware:*

Wood Knobs

*Shown in Brown Maple with OCS-119 Cappuccino  
and #15 Knobs w/ Optional Wood Doors on Bottom*

**CREATE YOUR OWN WALL UNIT:**

USE ANY COMBINATION OF BOOKCASES  
TO FIT YOUR NEEDS, YOUR STYLE AND YOUR ROOM!





**3-PC. BROOKLYN WALL UNIT**

Overall: 100"W x 84"H x 18"D

Center Bookcase: **BB-3684** (Custom 3" Deeper)

Outside Bookcase: **BB3072**

13 Adj. Shelves

*Standard Hardware:*

Wood Knobs

*Shown in Brown Maple with OCS-342 Country White, OCS-117 Asbury  
w/Optional Wood Doors on Bottom and Beadboard Back*





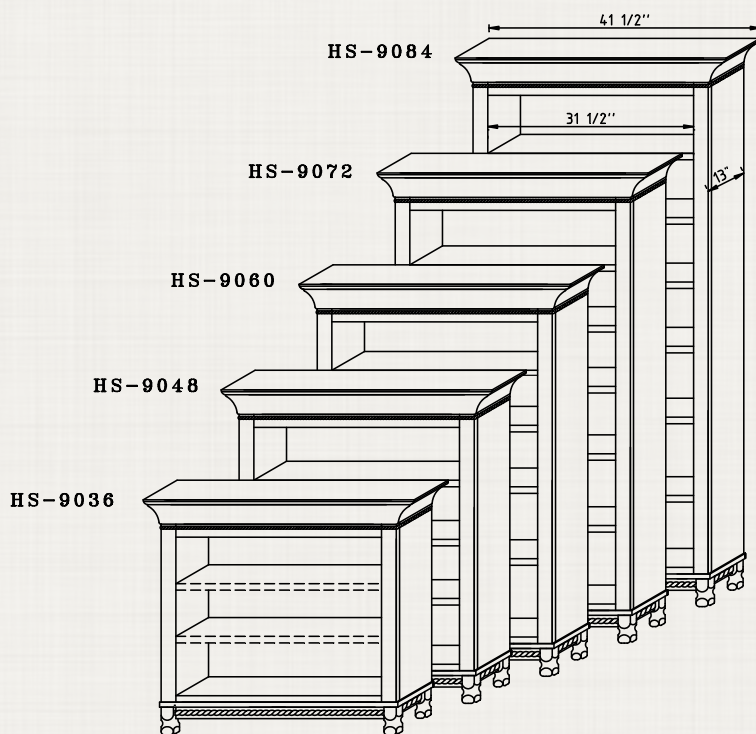
## HS-9072 BOOKCASE

41 1/2"W x 72"H x 15 1/2"D

*Shown in Rustic Cherry with OCS-113 Michaels  
w/Optional Wood Doors on Bottom*



*Without Doors*







## HS-9013 3-PIECE BOOKCASE W/2 DOORS

100"W x 82"H x 18<sup>3</sup>/<sub>4</sub>"D  
3 Fixed Shelves, 9 Adj. Shelves

*Standard Hardware:*

#120 Knobs

Shown in Cherry with OCS-108 S-14

*Also Available*

HS-9013-LF 3-Piece Bookcase w/2 Lateral File Drawers





# Bookcases OPTIONAL FEATURES



Connector Bolts



Puck Lights



Beadboard Back



Door Options



Door Options





**HM-3072 BOOKCASE**

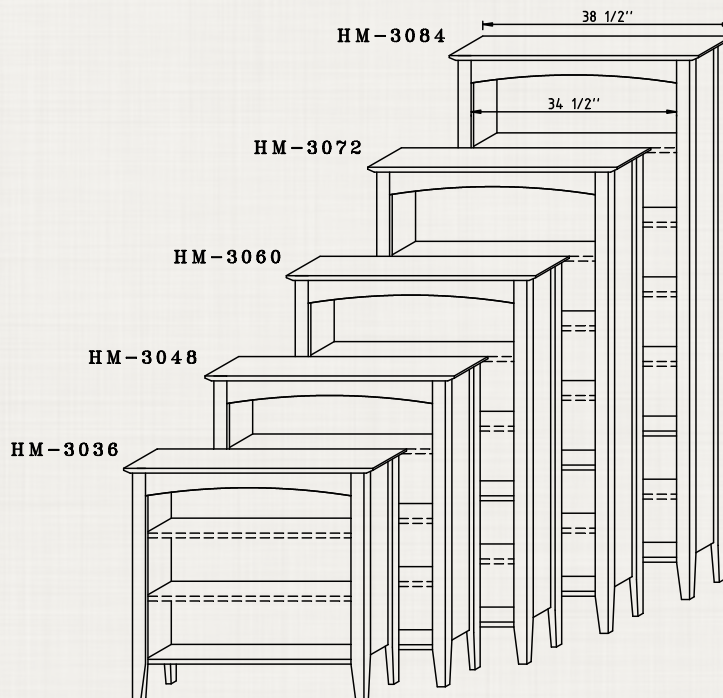
38<sup>1</sup>/<sub>2</sub>"W x 72"H x 15<sup>1</sup>/<sub>2</sub>"D

1 Fixed Shelf, 4 Adj. Shelves

*Standard Hardware:*

#20 Knobs

*Shown in Brown Maple with OCS-229 Bing Cherry  
w/Optional Wood Doors at Bottom*







**KT-3084**

**KT-3072**

**KT-3060**

**KT-3048**

**KT-3036**

**KT-3036 36" BOOKCASE**

30"W x 36"H x 14 $\frac{1}{2}$ "D  
2 Adj. Shelves

*Shown in Brown Maple with OCS-116 Harvest*

**KT-3048 48" BOOKCASE**

30"W x 48"H x 14 $\frac{1}{2}$ "D  
3 Adj. Shelves

*Shown in Brown Maple with OCS-225 Mission Maple*

**KT-3060 60" BOOKCASE**

30"W x 60"H x 14 $\frac{1}{2}$ "D  
3 Adj. Shelves & 1 Fixed Shelf

*Shown in Brown Maple with OCS-225 Mission Maple*

**KT-3072 72" BOOKCASE**

30"W x 72"H x 14 $\frac{1}{2}$ "D  
4 Adj. Shelves & 1 Fixed Shelf

*Shown in Brown Maple with OCS-113 Michaels*

**KT-3084 84" BOOKCASE**

30"W x 84"H x 14 $\frac{1}{2}$ "D  
5 Adj. Shelves & 1 Fixed Shelf

*Shown in Brown Maple with OCS-113 Michaels*





**KT-3060D 60" BOOKCASE  
W/BOTTOM DOORS**

30"W x 60"H x 14 $\frac{1}{2}$ "D  
2 Adj. Shelves & 1 Behind Doors

*Standard Hardware:*  
#18 Knobs

*Shown in Brown Maple with  
OCS-225 Mission Maple and #40 Knobs*



**KT-3072D 72" BOOKCASE  
W/BOTTOM DOORS**

30"W x 72"H x 14 $\frac{1}{2}$ "D  
3 Adj. Shelves & 1 Behind Doors

*Standard Hardware:*  
#18 Knobs

*Shown in Brown Maple with  
OCS-228 Rich Tobacco and #20 Knobs*



**KT-3084D 84" BOOKCASE  
W/BOTTOM DOORS**

30"W x 84"H x 14 $\frac{1}{2}$ "D  
4 Adj. Shelves & 1 Behind Doors

*Standard Hardware:*  
#18 Knobs

*Shown in Brown Maple with  
OCS-113 Michaels and #9 Knobs*





**KT-3684**

**KT-3672**

**KT-3660**

**KT-3648**

**KT-3636**

**KT-3636 36" BOOKCASE**

40"W x 36"H x 15"D  
2 Adj. Shelves

*Shown in Rustic Cherry with OCS-113 Michaels*

**KT-3648 48" BOOKCASE**

40"W x 48"H x 15"D  
3 Adj. Shelves

*Shown in Rustic Cherry with OCS-113 Michaels*

**KT-3660 60" BOOKCASE**

40"W x 60"H x 15"D  
3 Adj. Shelves & 1 Fixed Shelf

*Shown in Oak with OCS-116 Harvest*

**KT-3672 72" BOOKCASE**

40"W x 72"H x 15"D  
4 Adj. Shelves & 1 Fixed Shelf

*Shown in Oak with OCS-116 Harvest*

**KT-3684 84" BOOKCASE**

40"W x 84"H x 15"D  
5 Adj. Shelves & 1 Fixed Shelf

*Shown in Oak with OCS-116 Harvest*





**KT-3660D 60" BOOKCASE  
W/BOTTOM DOORS**

40"W x 60"H x 15"D

2 Adj. Shelves & 1 Behind Doors

*Standard Hardware:*

#18 Knobs

*Shown in Brown Maple with  
OCS-118 Antique Slate and #52 Knobs*



**KT-3672D 72" BOOKCASE  
W/BOTTOM DOORS**

40"W x 72"H x 15"D

3 Adj. Shelves & 1 Behind Doors

*Standard Hardware:*

#18 Knobs

*Shown in Oak with OCS-113 Michaels*



**KT-3684D 84" BOOKCASE  
W/BOTTOM DOORS**

40"W x 84"H x 15"D

4 Adj. Shelves & 1 Behind Doors

*Standard Hardware:*

#18 Knobs

*Shown in Oak with OCS-113 Michaels*



# Linwood BOOKCASES



**LW-4284**

**LW-4272**

**LW-4260**

**LW-4248**

**LW-4236**

## **LW-4236 36" BOOKCASE**

44½"W x 36"H x 14¼"D  
2 Adj. Shelves

*Shown in Brown Maple with OCS-342 Country White*

## **LW-4248 48" BOOKCASE**

44½"W x 48"H x 14¼"D  
3 Adj. Shelves

*Shown in Oak with OCS-117 Asbury*

## **LW-4260 60" BOOKCASE**

44½"W x 60"H x 14¼"D  
3 Adj. Shelves & 1 Fixed Shelf

*Shown in Brown Maple with OCS-113 Michaels*

## **LW-4272 72" BOOKCASE**

44½"W x 72"H x 14¼"D  
4 Adj. Shelves & 1 Fixed Shelf

*Shown in Oak with OCS-102 Fruitwood*

## **LW-4284 84" BOOKCASE**

44½"W x 84"H x 14¼"D  
5 Adj. Shelves & 1 Fixed Shelf

*Shown in Rustic Cherry with OCS-113 Michaels*





**LW-4260D 60" BOOKCASE**  
W/BOTTOM DOORS

44 $\frac{1}{2}$ "W x 60"H x 14 $\frac{1}{4}$ "D  
2 Adj. Shelves & 1 Behind Doors

*Standard Hardware:*  
#20 Knobs

*Shown in Brown Maple with*  
OCS-113 Michaels



**LW-4272D 72" BOOKCASE**  
W/BOTTOM DOORS

44 $\frac{1}{2}$ "W x 72"H x 14 $\frac{1}{4}$ "D  
3 Adj. Shelves & 1 Behind Doors

*Standard Hardware:*  
#20 Knobs

*Shown in Brown Maple with*  
OCS-113 Michaels



**LW-4284D 84" BOOKCASE**  
W/BOTTOM DOORS

44 $\frac{1}{2}$ "W x 84"H x 14 $\frac{1}{4}$ "D  
4 Adj. Shelves & 1 Behind Doors

*Standard Hardware:*  
#20 Knobs

*Shown in Brown Maple with*  
OCS-113 Michaels



# Bookcases OPTIONAL FEATURES



Connector Bolts



Puck Lights



Beadboard Back



Door Options



Door Options



# TV Consoles AT-A-GLANCE



**KINGSTON COLLECTION.....KTTV1**



**LINWOOD COLLECTION.....LWTV1**



**NORWAY COLLECTION.....NWTV1**



# Kingston TV CONSOLE COLLECTION



## **KT-4625** 46" TV CONSOLE

46"W x 25"H x 20"D

Soundbar Opening: 5<sup>3</sup>/<sub>4</sub>"H x 40"W

*Standard Hardware:*

#52 Knobs

*Shown in Oak with OCS-112 Provincial*



## **KT-5625** 56" TV CONSOLE

56"W x 25"H x 20"D

4 Adj. Shelves

*Standard Hardware:*

#52 Knobs

*Shown in Brown Maple with OCS-228 Rich Tobacco  
and #56 Knobs*

KTTV1



# Kingston TV CONSOLE COLLECTION



## **KT-3633** 36" TV CONSOLE

36"W x 33"H x 20"D

Soundbar Opening: 5<sup>3</sup>/<sub>4</sub>"H x 30"W

1 Adj. Shelf

*Standard Hardware:*

#52 Knobs

*Shown in Oak with OCS-104 Seely*



## **KT-4633C** 46" CORNER TV CONSOLE

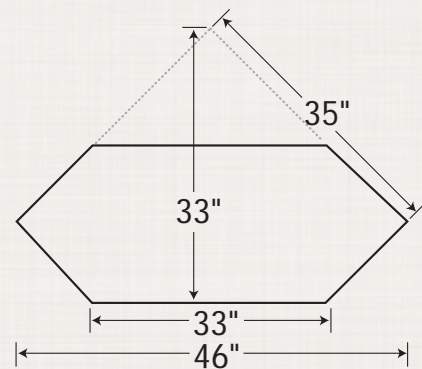
46"W x 33"H x 20"D

2 Adj. Shelves

*Standard Hardware:*

#52 Knobs

*Shown in Brown Maple with OCS-225 Mission Maple  
and #15 Knobs*





# Kingston TV CONSOLE COLLECTION



## **KT-5633** 56" TV CONSOLE

56"W x 33"H x 20"D

6 Adj. Shelves

*Standard Hardware:*

#52 Knobs

*Shown in Oak with OCS-113 Michaels*



## **KT-6833** 68" TV CONSOLE

68"W x 33"H x 20"D

6 Adj. Shelves

*Standard Hardware:*

#52 Knobs

*Shown in Brown Maple with OCS-113 Michaels  
and #15 Knobs*



*Kingston* TV CONSOLE COLLECTION



**KT-8080 HUTCH TOP**

82"W x 49"H x 16"D

56" Opening

7 Adj. Shelves

**KT-8033 80" TV CONSOLE**

80"W x 33"H x 20"D

6 Adj. Shelves

*Standard Hardware:*

#52 Knobs

*Shown in Brown Maple with OCS-113 Michaels  
with #18 Knobs*



# *Linwood* TV CONSOLE COLLECTION



## **LW-4030** 40" TV CONSOLE

40"W x 30<sup>1</sup>/<sub>4</sub>"H x 16"D

Soundbar Opening: 5<sup>3</sup>/<sub>4</sub>"H x 34"W

### *Standard Hardware:*

#20 Knobs

*Shown in Brown Maple with OCS-113 Michaels*

## **LW-5030** 50" TV CONSOLE

50"W x 30<sup>1</sup>/<sub>4</sub>"H x 16"D

Soundbar Opening: 5<sup>3</sup>/<sub>4</sub>"H x 44"W

### *Standard Hardware:*

#20 Knobs

*Shown in Oak with OCS-116 Harvest  
and #56 Knob*



## **LW-6030** 60" TV CONSOLE

60"W x 30<sup>1</sup>/<sub>4</sub>"H x 16"D

Soundbar Opening: 5<sup>3</sup>/<sub>4</sub>"H x 54"W

### *Standard Hardware:*

#20 Knobs

*Shown in Brown Maple with  
OCS-225 Mission Maple and #30 Knobs*



# Linwood TV CONSOLE COLLECTION

## LW-7970 70" HUTCH TOP

70"W x 50"H x 12"D

46" Opening

7 Adj. Shelves

## LW-7030 70" TV CONSOLE

70"W x 30<sup>1</sup>/<sub>4</sub>"H x 16"D

Soundbar Opening: 5<sup>3</sup>/<sub>4</sub>"H x 38"W

2 Adj. Shelves

### *Standard Hardware:*

#20 Knobs

*Shown in Brown Maple with OCS-113 Michaels  
and #15 Knobs*



## LW-8980 80" HUTCH TOP

80"W x 50"H x 12"D

56" Opening

7 Adj. Shelves

## LW-8030 80" TV CONSOLE

80"W x 30<sup>1</sup>/<sub>4</sub>"H x 16"D

Soundbar Opening: 5<sup>3</sup>/<sub>4</sub>"H x 38"W

2 Adj. Shelves

### *Standard Hardware:*

#20 Knobs

*Shown in Brown Maple with OCS-111 Boston*



# *Linwood* TV CONSOLE COLLECTION



## **LW-75030** 50" TV CONSOLE

50"W x 30<sup>1</sup>/<sub>4</sub>"H x 16"D

Soundbar Opening: 5<sup>3</sup>/<sub>4</sub>"H x 18"W

### *Standard Hardware:*

#20 Knobs

*Shown in Brown Maple with OCS-111 Boston  
and #30 Knobs*



## **LW-76030** 60" TV CONSOLE

60"W x 30<sup>1</sup>/<sub>4</sub>"H x 16"D

Soundbar Opening: 5<sup>3</sup>/<sub>4</sub>"H x 28"W

### *Standard Hardware:*

#20 Knobs

*Shown in Cherry with OCS-106 Acres  
and #30 Knobs*



# *Linwood* TV CONSOLE COLLECTION



## **LW-85030** 50" TV CONSOLE

50"W x 30<sup>1</sup>/<sub>4</sub>"H x 16"D

Soundbar Opening: 5<sup>3</sup>/<sub>4</sub>"H x 18"W

2 Adj. Shelves

*Standard Hardware:*

#20 Knobs

*Shown in Brown Maple with OCS-229 Bing Cherry*



## **LW-86030** 60" TV CONSOLE

60"W x 30<sup>1</sup>/<sub>4</sub>"H x 16"D

Soundbar Opening: 5<sup>3</sup>/<sub>4</sub>"H x 28"W

2 Adj. Shelves

*Standard Hardware:*

#20 Knobs

*Shown in Brown Maple with OCS-111 Boston*



# Linwood TV CONSOLE COLLECTION



## LW-4030C 40" CORNER TV CONSOLE

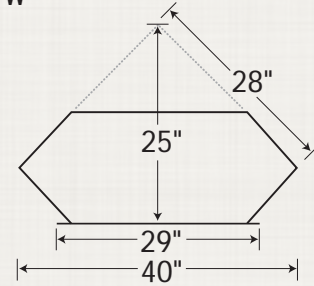
40"W x 30<sup>1</sup>/<sub>4</sub>"H x 16"D

Soundbar Opening: 5<sup>3</sup>/<sub>4</sub>"H x 25<sup>3</sup>/<sub>4</sub>"W

### *Standard Hardware:*

#20 Knobs

Shown in Brown Maple with  
FC-11434 Driftwood  
and #60 Knobs



## LW-5030C 50" CORNER TV CONSOLE

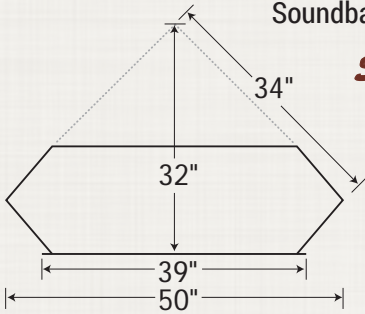
50"W x 30<sup>1</sup>/<sub>4</sub>"H x 16"D

Soundbar Opening: 5<sup>3</sup>/<sub>4</sub>"H x 35<sup>3</sup>/<sub>4</sub>"W

### *Standard Hardware:*

#20 Knobs

Shown in Rustic Cherry  
with OCS-103 MX  
and #44 Knobs



## LW-6030C 60" CORNER TV CONSOLE

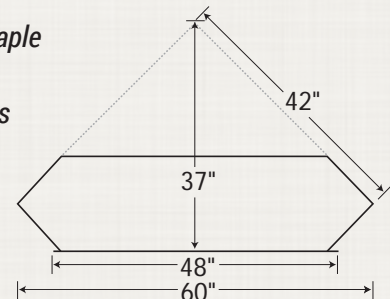
60"W x 30<sup>1</sup>/<sub>4</sub>"H x 16"D

Soundbar Opening: 5<sup>3</sup>/<sub>4</sub>"H x 45<sup>3</sup>/<sub>4</sub>"W

### *Standard Hardware:*

#20 Knobs

Shown in Brown Maple  
with OCS-101 S-2  
and #9 Wood Knobs





# Linwood TV CONSOLE COLLECTION



## LW-94633 46" TV CONSOLE

46"W x 33"H x 20"D

1 Adj. Shelf

### *Standard Hardware:*

#20 Knobs

*Shown in Cherry with OCS-107 Washington  
and #40 Knobs*



## LW-95233 52" TV CONSOLE

52"W x 33"H x 20"D

6 Adj. Shelves

### *Standard Hardware:*

#20 Knobs

*Shown in Brown Maple with OCS-227 Rich Cherry  
and #30 Knobs*

## LW-95633 56" TV CONSOLE

56"W x 33"H x 20"D

4 Adj. Shelves

### *Standard Hardware:*

#20 Knobs

*Shown in Brown Maple with OCS-230 Onyx*





# Norway TV CONSOLE COLLECTION



## **NW-95030** 50" TV CONSOLE

50"W x 30<sup>1</sup>/<sub>4</sub>"H x 16"D

Soundbar Opening: 5<sup>3</sup>/<sub>4</sub>"H x 15<sup>1</sup>/<sub>2</sub>"W

3 Adj. Shelves

### *Standard Hardware:*

#15 Knobs

*Shown in Brown Maple with OCS-104 Seely  
and #40 Knobs*



## **NW-96030** 60" TV CONSOLE

60"W x 30<sup>1</sup>/<sub>4</sub>"H x 16"D

Soundbar Opening: 5<sup>3</sup>/<sub>4</sub>"H x 25<sup>1</sup>/<sub>2</sub>"W

3 Adj. Shelves

### *Standard Hardware:*

#15 Knobs

*Shown in Brown Maple with OCS-113 Michaels  
and #20 Knobs*





# *Occasionals* AT-A-GLANCE



**LINWOOD COLLECTION.....LW01**



**NORWAY COLLECTION.....NW01**



**KINGSTON COLLECTION.....KT01**



**RIPLEY COLLECTION.....RL01**



**SORRENTO COLLECTION.....SR01**



# Linwood OCCASIONAL COLLECTION



**LW-162** CHAIR SIDE TABLE  
14"W x 24"H x 26"D

*Standard Hardware:*  
#20 Knobs

*Shown in Brown Maple with OCS-111 Boston*



**LW-163** SOFA TABLE  
45"W x 30<sup>1</sup>/<sub>4</sub>"H x 15"D

*Standard Hardware:*  
#20 Knobs

*Shown in Brown Maple with OCS-225 Mission Maple*



**LW-160** END TABLE  
21"W x 24"H x 26"D

*Standard Hardware:*  
#20 Knobs

*Shown in Brown Maple with with OCS-111 Boston*



**LW-161** END TABLE  
21"W x 24"H x 26"D

*Standard Hardware:*  
#20 Knobs

*Shown in Brown Maple with with OCS-111 Boston*





**LW-167** CONSOLE TABLE

30"W x 30<sup>1</sup>/<sub>4</sub>"H x 13<sup>1</sup>/<sub>2</sub>"D

*Standard Hardware:*

#20 Knob

*Shown in Oak with OCS-103 MX and #6 Knob*



**LW-164** COFFEE TABLE

45"W x 19"H x 26"D

*Standard Hardware:*

#20 Knobs

*Shown in Brown Maple with OCS-111 Boston*



**LW-165** SMALL COFFEE TABLE

38"W x 19"H x 22"D

*Standard Hardware:*

#20 Knob

*Shown in Oak with OCS-102 Fruitwood  
and #6 Knob*



# Norway OCCASIONAL COLLECTION



**NW-181** CHAIR SIDE TABLE  
15"W x 24"H x 26"D

*Standard Hardware:*  
#73 Pull

*Shown in Brown Maple with OCS-342 Country White  
Stain Rub Through with OCS-117 Asbury*



**NW-183** SOFA TABLE  
47"W x 30<sup>1</sup>/<sub>4</sub>"H x 15"D

*Standard Hardware:*  
#73 Pulls

*Shown in Brown Maple with OCS-342 Country White  
Stain Rub Through with OCS-117 Asbury*



**NW-184** COFFEE TABLE  
47"W x 19"H x 24"D

*Standard Hardware:*  
#73 Pulls

*Shown in Brown Maple with OCS-342 Country White  
Stain Rub Through with OCS-117 Asbury*



**NW-180** END TABLE  
21"W x 24"H x 26"D

*Standard Hardware:*  
#73 Pull

*Shown in Brown Maple with OCS-342 Country White  
Stain Rub Through with OCS-117 Asbury*





**KT-57** CHAIR SIDE TABLE

14"W x 24"H x 24"D

*Standard Hardware:*

#18 Knobs

*Shown in Oak with OCS-111 Boston, Distressed  
and #54 Knobs*



**KT-54** COFFEE TABLE

45"W x 19"H x 24"D

*Standard Hardware:*

#18 Knobs

*Shown in Oak with OCS-116 Harvest & OCS-230 Onyx  
and #40 Knobs*



**KT-56** END TABLE

21"W x 24"H x 24"D

*Standard Hardware:*

#18 Knobs

*Shown in Brown Maple with OCS-227 Rich Cherry  
and #40 Knobs*



**KT-55** END TABLE

21"W x 24"H x 24"D

*Standard Hardware:*

#18 Knobs

*Shown in Oak with OCS-116 Harvest & OCS-230 Onyx  
and #40 Knobs*





**RL-190** END TABLE  
21"W x 24"H x 26"D

*Standard Hardware:*  
#52 Knob

*Shown in Brown Maple with OCS-343 Black Stain Rub  
Through OCS-113 Michaels and #54 Knob*



**RL-192** CHAIR SIDE TABLE  
15½"W x 24"H x 26"D

*Standard Hardware:*  
#52 Knob

*Shown in Brown Maple with OCS-343 Black Stain Rub  
Through OCS-113 Michaels and #54 Knob*



**RL-193** SOFA TABLE  
45"W x 30¼"H x 15"D

*Standard Hardware:*  
#52 Knob

*Shown in Brown Maple with OCS-113 Michaels  
with #54 Knob*





**RL-197** SMALL SOFA TABLE

30"W x 30<sup>1</sup>/<sub>4</sub>"H x 13<sup>1</sup>/<sub>2</sub>"D

*Standard Hardware:*

#52 Knob

*Shown in Brown Maple with OCS-113 Michaels  
with #54 Knob*



**RL-195** SMALL COFFEE TABLE

38"W x 19"H x 22"D

*Standard Hardware:*

#52 Knob

*Shown in Brown Maple with OCS-113 Michaels  
with #54 Knob*



**RL-194** COFFEE TABLE

45"W x 19"H x 26"D

*Standard Hardware:*

#52 Knob

*Shown in Brown Maple with OCS-113 Michaels  
with #54 Knob*



# Sorrento OCCASIONAL COLLECTION



**SR-170** END TABLE  
21"W x 24"H x 26"D

*Standard Hardware:*  
#20 Knobs

*Shown in Brown Maple with OCS-228 Rich Tobacco*



**SR-172** CHAIR SIDE TABLE  
14"W x 24"H x 26"D

*Standard Hardware:*  
#20 Knobs

*Shown in Brown Maple with OCS-228 Rich Tobacco*



**SR-177** SMALL SOFA TABLE  
30"W x 30<sup>1</sup>/<sub>4</sub>"H x 13<sup>1</sup>/<sub>2</sub>"D

*Standard Hardware:*  
#20 Knobs

*Shown in Brown Maple with OCS-113 Michaels*





**SR-174** COFFEE TABLE

45"W x 19"H x 26"D

*Standard Hardware:*

#20 Knobs

*Shown in Brown Maple with OCS-228 Rich Tobacco*



**SR-173** SOFA TABLE

45"W x 30<sup>1</sup>/<sub>4</sub>"H x 15"D

*Standard Hardware:*

#20 Knobs

*Shown in Brown Maple with OCS-228 Rich Tobacco  
and #30 Knobs*





# Pie Safes COLLECTION



## **P-46** PIE SAFE

35"W x 47"H x 14"D

2 Adj. Shelves

Wheat Tin Panels

### *Standard Hardware:*

#52 Knobs

*Shown in Brown Maple with OCS-113 Michaels  
and #9 Knobs*



## **P-47** PIE SAFE

35"W x 47"H x 14"D

2 Adj. Shelves

Raised Panel Doors

### *Standard Hardware:*

#52 Knobs

*Shown in Oak with OCS-343 Black Stain Rub Through  
with OCS-110 Medium and #18 Knobs*



# Pie Safes

## COLLECTION



### **P-48** PIE SAFE

35"W x 47"H x 14"D  
2 Adj. Shelves  
Apple Tin Panels

*Standard Hardware:*  
#52 Knobs

*Shown in Brown Maple with OCS-118 Antique Slate  
and #40 Knobs*



### **P-49** PIE SAFE

35"W x 47"H x 14"D  
2 Adj. Shelves  
3 Star Tin Panels

*Standard Hardware:*  
#52 Knobs

*Shown in Oak with OCS-113 Michaels*



# Hardware Options



#6



#9



#25



#23



#10



#11



#35



#33



#18



#19



#45



#43



#24



#21



#50



#51



#34



#31



#52



#53



#44



#41



#54



#55



#4



#5



#56



#57



#20



#22



#20



#71



#30



#32



#15



#73



#40



#42

- #4 Brass Knob
- #5 Brass Pull
- #6 Antique English Knob
- #9 Wood Knob
- #10 Black Bronze Knob
- #11 Black Bronze Pull
- #15 Black Knob
- #18 Antique English Knob
- #19 Antique English Pull
- #20 Satin Nickel Knob
- #21 Satin Nickel Pull
- #22 Satin Nickel Pull
- #23 Satin Nickel Pull
- #24 Satin Nickel Knob

- #25 Satin Nickel Knob
- #30 Weathered Nickel Knob
- #31 Weathered Nickel Pull
- #32 Weathered Nickel Pull
- #33 Weathered Nickel Pull
- #34 Antique Silver Knob
- #35 Weathered Nickel Knob
- #40 Oil Rubbed Bronze Knob
- #41 Oil Rubbed Bronze Pull
- #42 Oil Rubbed Bronze Pull
- #43 Oil Rubbed Bronze Pull
- #44 Oil Rubbed Bronze Knob
- #45 Oil Rubbed Bronze Knob
- #50 Satin Nickel Knob

- #51 Satin Nickel Pull
- #52 Pewter Knob
- #54 Oil Rubbed Bronze Knob
- #55 Oil Rubbed Bronze Pull
- #56 Antique Brass Knob
- #57 Antique Brass Pull
- #60 Satin Nickel Knob
- #61 Satin Nickel Pull
- #62 Weathered Nickel Knob
- #63 Weathered Nickel Pull
- #64 Oil Rubbed Bronze Knob
- #65 Oil Rubbed Bronze Pull
- #71 Satin Nickel Bow Pull
- #73 Black Bow Pull



# Hardware Options



#60



#61



#120



#121



#62



#63



#122



#123



#64



#65



#124



#125



#80



#81



#126



#127



#82



#83



#128



#129



#84



#85



#130



#131



#114



#115



#132



#133



#116



#117



#134



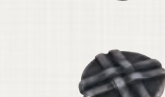
#135



#118



#119



#136



#137

- #80 Satin Nickel Knob
- #81 Satin Nickel Pull
- #82 Weathered Nickel Knob
- #83 Weathered Nickel Pull
- #84 Oil Rubbed Bronze Knob
- #85 Oil Rubbed Bronze Pull
- #114 Dark Brushed Antique Copper Knob
- #115 Dark Brushed Antique Copper Pull
- #116 Satin Nickel Knob
- #117 Satin Nickel Pull

- #118 Pewter Knob
- #119 Pewter Pull
- #120 Oil Rubbed Bronze Knob
- #121 Oil Rubbed Bronze Pull
- #122 Flat Black Knob
- #123 Flat Black Pull
- #124 Satin Nickel Knob
- #125 Satin Nickel Pull
- #126 Rustic Brass Knob
- #127 Rustic Brass Pull

- #128 Oil Rubbed Bronze Knob
- #129 Oil Rubbed Bronze Pull
- #130 Satin Nickel Knob
- #131 Satin Nickel Pull
- #132 Oil Rubbed Bronze Knob
- #133 Oil Rubbed Bronze Pull
- #134 Satin Nickel Knob
- #135 Satin Nickel Pull
- #136 Pewter Knob
- #137 Pewter Pull



# OCS Stain Options



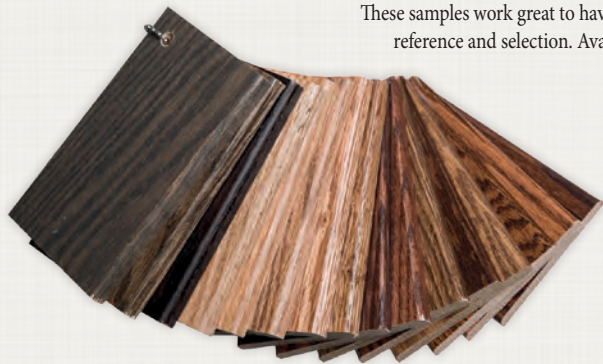
## Ohio Certified Stains

33284 County Road 12 · Baltic, Ohio 43804 · Phone: 330.275.7784 · Fax: 330.698.3200  
Now accepting credit cards. · Mail order form with check, or call with credit card information.

## Wood Stain and Color Samples

### 3" x 5" Small Sample Boards

These samples work great to have throughout your showroom for quick reference and selection. Available in sets or individual samples.



Red Oak - 16 pc. set



Cherry - 11 pc. set



Brown Maple - 13 pc. set



Qu. Sawn Wh. Oak - 5 pc. set



Paint Colors - 8 pc. set

### 7" x 10" Sample Boards

Wood Stain and Paint Color samples that represent a larger portion of grain for additional accuracy.  
*Natural wood is vulnerable to much variation.*



Storage Cabinet Prolongs color fading.











**MAPLE HILL**  
WOODWORKING

2726 TR 128 • Millersburg, OH





# MAPLE HILL WOODWORK IMAGING

**PRODUCT CATALOG**

